

LEX 4430

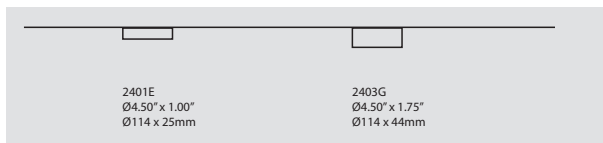
PROJECT PROJÉT
SPEC TYPE
NOTES



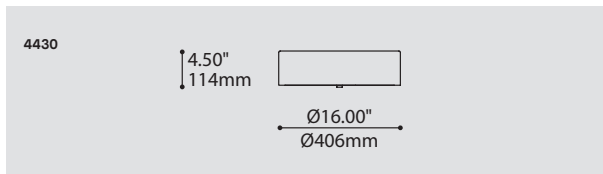
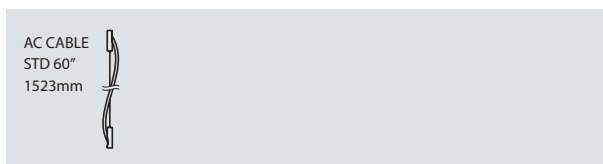
OVERALL HEIGHT HAUTEUR HORS TOUT

LIGHT SOURCE	CFL	LED DIM
MOUNTING	2401E	2403G
CABLE	66.45"	67.20"

MOUNTING OPTIONS OPTIONS DE MONTAGE



STEM OR CABLE OPTIONS OPTIONS DE TIGE OU CABLE



ORDERING SPECIFICATION SPÉCIFICATION DE COMMANDE

MODEL MODÈLE	4430	CODE	4430
--------------	------	------	------

LIGHT SOURCE SOURCE LUMINEUSE

(WATTAGE, LAMP TYPE, LAMP FORM, BASE TYPE, OTHER INFO)	
2XCF.D.26	26W X 2, CFL, DOUBLE TWIN TUBE, G24Q3 BASE
3XCF.SP.18	18W X 3, CFL, SPIRAL, GU24 BASE (120V ONLY)
F.T5.C.40	40W, FLUO, CIRCULAR T5, 2GX13 BASE
LED.24	24W, LED

COLOR TEMPERATURE TEMPÉRATURE DE COULEUR

FOR LED ONLY	
30	3000K
35	3500K
40	4000K

VOLTAGE VOLTAGE

120V	120 VOLT
277V	277 VOLT
347V*	347 VOLT
*ONLY AVAILABLE WITH 2XCF.D.26 & F.T5.C.40 (NON-DIMMING BALLAST)	

DIMMING OPTION OPTION DE GRADATION

AVAILABLE WITH 2XCF.D.26 ONLY	
DM1	ADVANCE MARK 10 ELECTRONIC DIMMING BALLAST
AVAILABLE WITH LED ONLY	
DV	0-10V DIMMING (120-277V)
DP	PHASE DIMMING (120V ONLY)
LED DIMMING DRIVER IS STANDARD IN THIS PRODUCT, PLEASE SPECIFY YOUR DIMMING TYPE.	

CABLE CABLE

AC	AIRCRAFT MOUNTING & CLEAR CABLE, FIELD ADJUSTABLE	AC
----	---	----

CABLE LENGTH LONGUEUR DE CABLE

60	60" AIRCRAFT CABLE (STD LENGTH)
**	CUSTOM AIRCRAFT CABLE LENGTH (PLEASE SPECIFY) FOR OVERALL LENGTH PLEASE CONTACT YOUR EUREKA REPRESENTATIVE.

MOUNTING MONTAGE

RC	ROUND CANOPY / PAVILLON ROND FOR CFL: 1.00" CANOPY (2401E) FOR DIMMING LED: 1.75" CANOPY (2403G)	RC
----	--	----

STRUCTURE FINISH FINI STRUCTURE

CHR	CHROME	CHR
-----	--------	-----

DIFFUSER FINISH FINI DIFFUSEUR

WH*	WHITE	WH
*WHEN LED LIGHT SOURCE IS SELECTED, DIFFUSER WILL BE IN ACRYLIC		

PRODUCT CHARACTERISTICS CARACTÉRISTIQUES DU PRODUIT

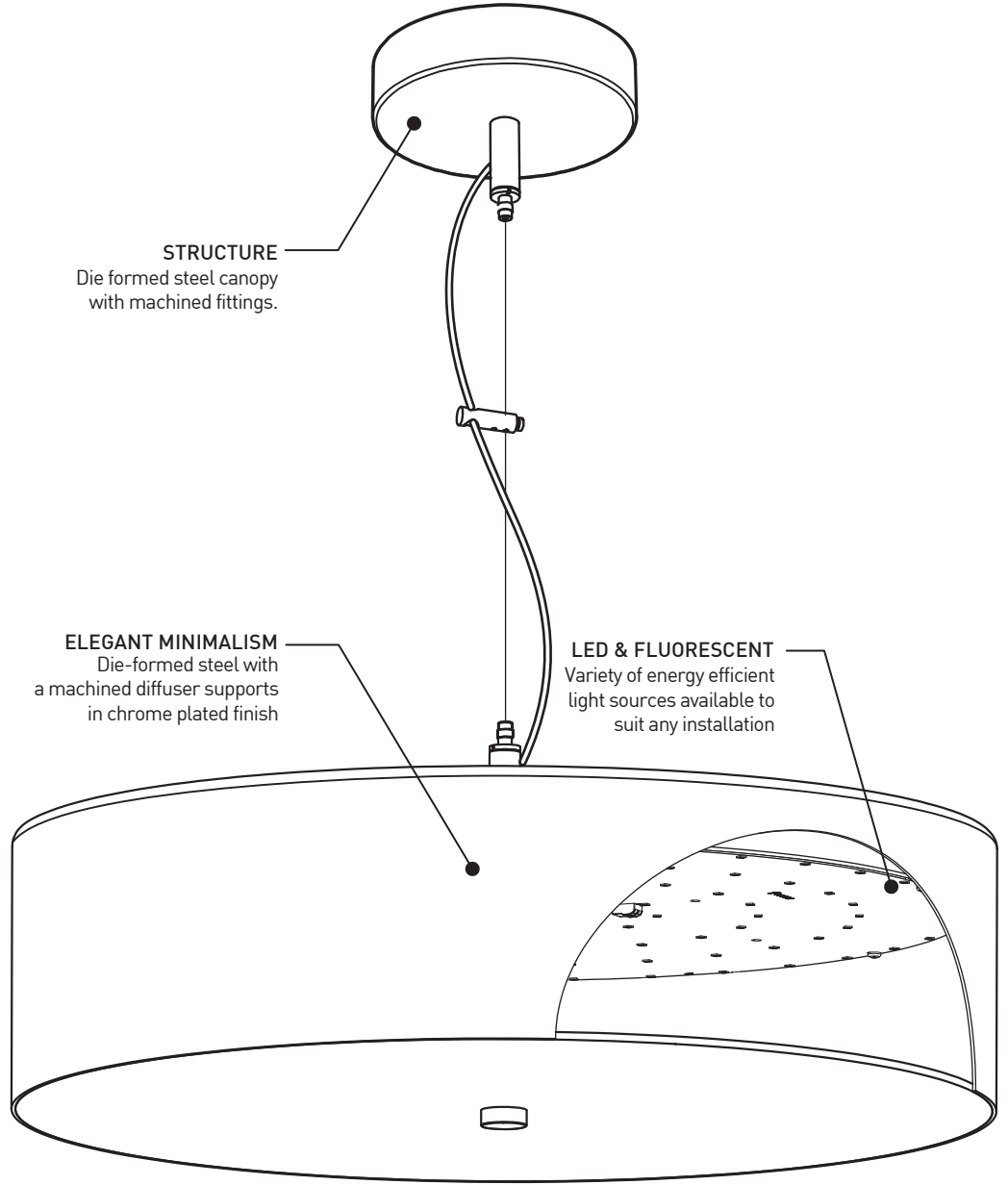
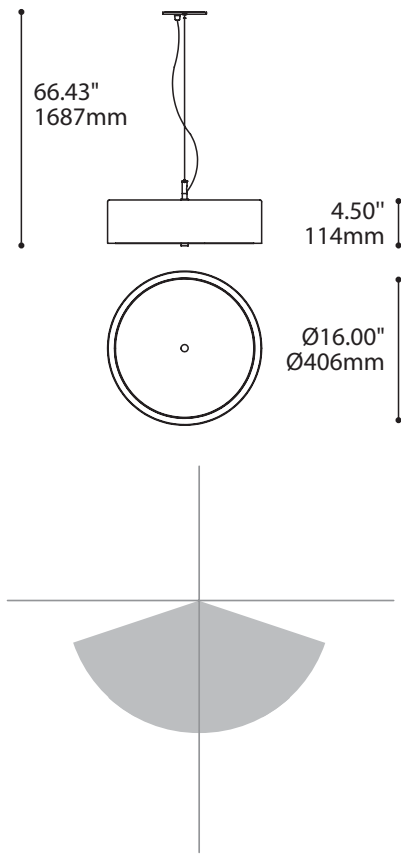
- BIM
- DIM
- IES
- LED

DESIGN:	Boasting clean styling, this architectural statement is perfect for commercial or hospitality projects.
LIGHT SOURCE:	Wide range of energy saving and dimmable LED and fluorescent light sources.
STRUCTURE:	Die-formed steel with a machined diffuser supports in chrome plated finish.
DIFFUSER:	Crystal glass or acrylic (when light source LED is selected).
CERTIFIED:	c-CSA-us, c-UL-us
CONCEPTION:	Exhibant des lignes nettes et épurées, cet élément architectural est approprié aux projets commerciaux ou hospitaliers.
SOURCE LUMINEUSE:	DEL et fluorescent à intensité variable.
STRUCTURE:	Structure d'acier repoussé et support à diffuseur usiné et chromé.
DIFFUSEUR:	Verre cristal ou acrylique (lorsque la source lumineuse LED est sélectionnée).
CERTIFIÉ:	c-CSA-us, c-UL-us

FAMILY FAMILLE



4630



SPECIFICATIONS

DRIVER / BALLAST

LED.24.30 | LED.24.40

25W CC

2XCF.D

ADVANCE MARK 10 ELECTRONIC DIMMING BALLAST

DIMMING

DV 0-10V (120-277V) or DP PHASE DIMMING (120V)

DM1

VOLTAGE

120V-277V

120V or 277V or 347V

STRUCTURE

Die-formed steel with a machined diffuser supports in chrome plated finish

DIFFUSER

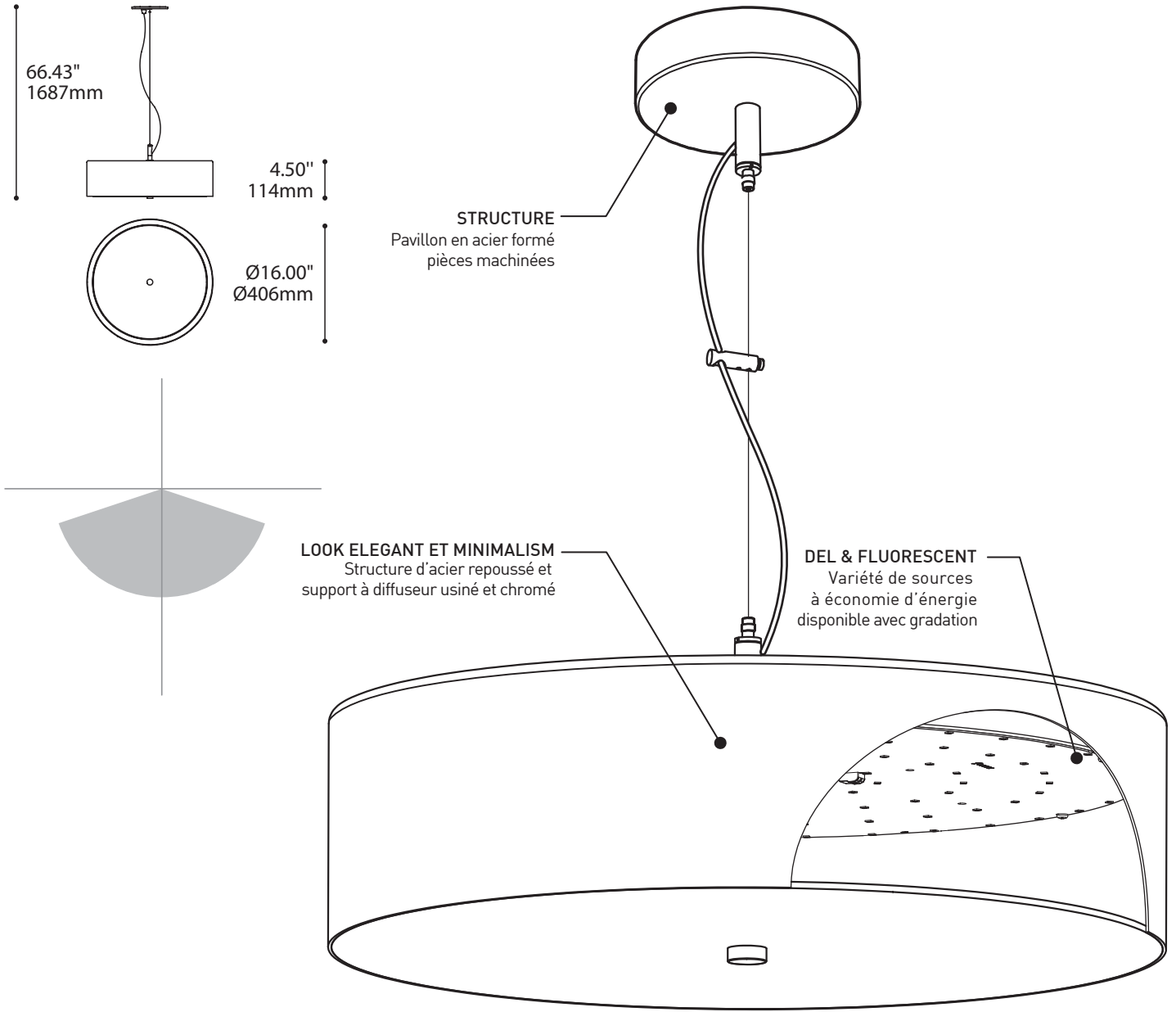
Crystal glass or acrylic when LED light source is selected

CERTIFICATION

c-CSA-us, c-UL-us

WARRANTY

5 year warranty on LED fixtures, 1 year warranty on fluorescent fixtures



SPECIFICATIONS

LED.24.30 | LED.24.40

2XCF.D

2XCF.SP

PILOTE / BALLAST

25W CC

BALLAST ÉLECTRONIQUE À GRADATION ADVANCE MARK 10

GRADATION

DV 0-10V (120-277V) ou GRADATION DP PHASE (120V)

DM1

VOLTAGE

120V-277V

120V ou 277V ou 347V

STRUCTURE

Structure d'acier repoussé et support à diffuseur usiné et chromé

DIFFUSEUR

Verre Cristal ou acrylique si la source DEL est choisie

CERTIFICATION

c-CSA-us, c-UL-us

GARANTIE

Garantie de 5 ans sur le luminaire en DEL, Garantie de 1 an sur les luminaires en fluorescent