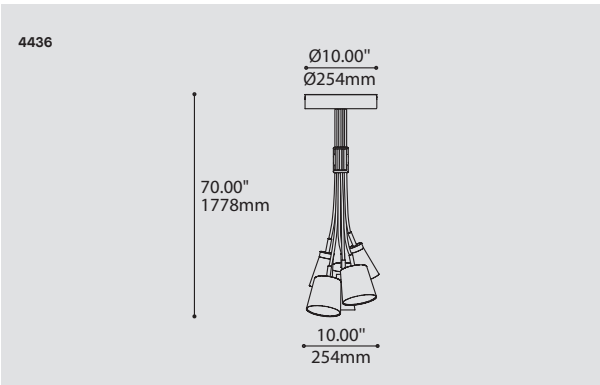


STACK CLUSTER 4436

PROJECT PROJET

SPEC TYPE

NOTES



ORDERING SPECIFICATION SPÉCIFICATION DE COMMANDE

CODE

MODEL MODÈLE 4436

4436 STACK CLUSTER

LIGHT SOURCE SOURCE LUMINEUSE

(WATTAGE, LAMP TYPE, LAMP FORM, BASE TYPE, OTHER INFO)

6XMR16C.50		50W X 6, HAL, MR16C, GU5.3 BASE
6XGZ10.50		50W X 6, HAL, MR16, GZ10 BASE (120V ONLY)
6XP20.50		50W X 6, INC, PAR20, MEDIUM BASE (120V ONLY)
6XLED.1		1W X 6, LED
6XLED.4		4W X 6, LED

COLOR TEMPERATURE TEMPÉRATURE DE COULEUR

FOR LED ONLY

30	3000K
35	3500K
40	4000K

VOLTAGE VOLTAGE

120V	120 VOLT
277V	277 VOLT

DIMMING OPTION OPTION DE GRADATION

FOR LED ONLY

DV	0-10V DIMMING (120-277V)
DP	PHASE DIMMING (120V ONLY)

LED DIMMING DRIVER IS STANDARD IN THIS PRODUCT, PLEASE SPECIFY YOUR DIMMING TYPE.

CABLE CABLE

C BLACK CABLE C

CABLE LENGTH LONGUEUR DE CABLE

60	60" CABLE STANDARD LENGTH
**	CUSTOM CABLE LENGTH (PLEASE SPECIFY)

FOR OVERALL LENGTH PLEASE CONTACT YOUR EUREKA REPRESENTATIVE.

MOUNTING MONTAGE

RC* ROUND CANOPY / PAVILLON ROND
*CANOPY FINISH ALWAYS CHROME

STRUCTURE FINISH FINI STRUCTURE

COMBO 4036

4036	WHITE / BLACK CHROME / WHITE BLACK / WHITE
------	--

4038	WHITE / BLACK CHROME / WHITE BLACK / WHITE
------	--

PRODUCT CHARACTERISTICS CARACTÉRISTIQUES DU PRODUIT

BIM **DIM** **LED**

DESIGN: The Stack Cluster is a fun assortment of both the small and large Stack in all colours. Six in total, held together by a heavy chrome cord organizer that allows height adjustment placement as you like.

LIGHT SOURCE: 6 x 1W or 4W LED and other light sources available.

STRUCTURE: Double layered die-formed steel shade with chrome plated or polyester powder finish. c-CSA-us

CONCEPTION: Assortiment amusant de Slim et Stuby Stack tous finis confondus. Tenues ensemble par un passe-fil chrome, les six mini suspensions s'ajustent en hauteur à votre goût.

SOURCE LUMINEUSE: 6 x DEL 1W ou 4W et autres sources offertes.

STRUCTURE: Abat-jour en deux épaisseurs d'acier embouti avec fini chromé ou peinture électrostatique à base de polyester.

CERTIFIÉ: c-CSA-us

FAMILY FAMILLE



2036B/2038B



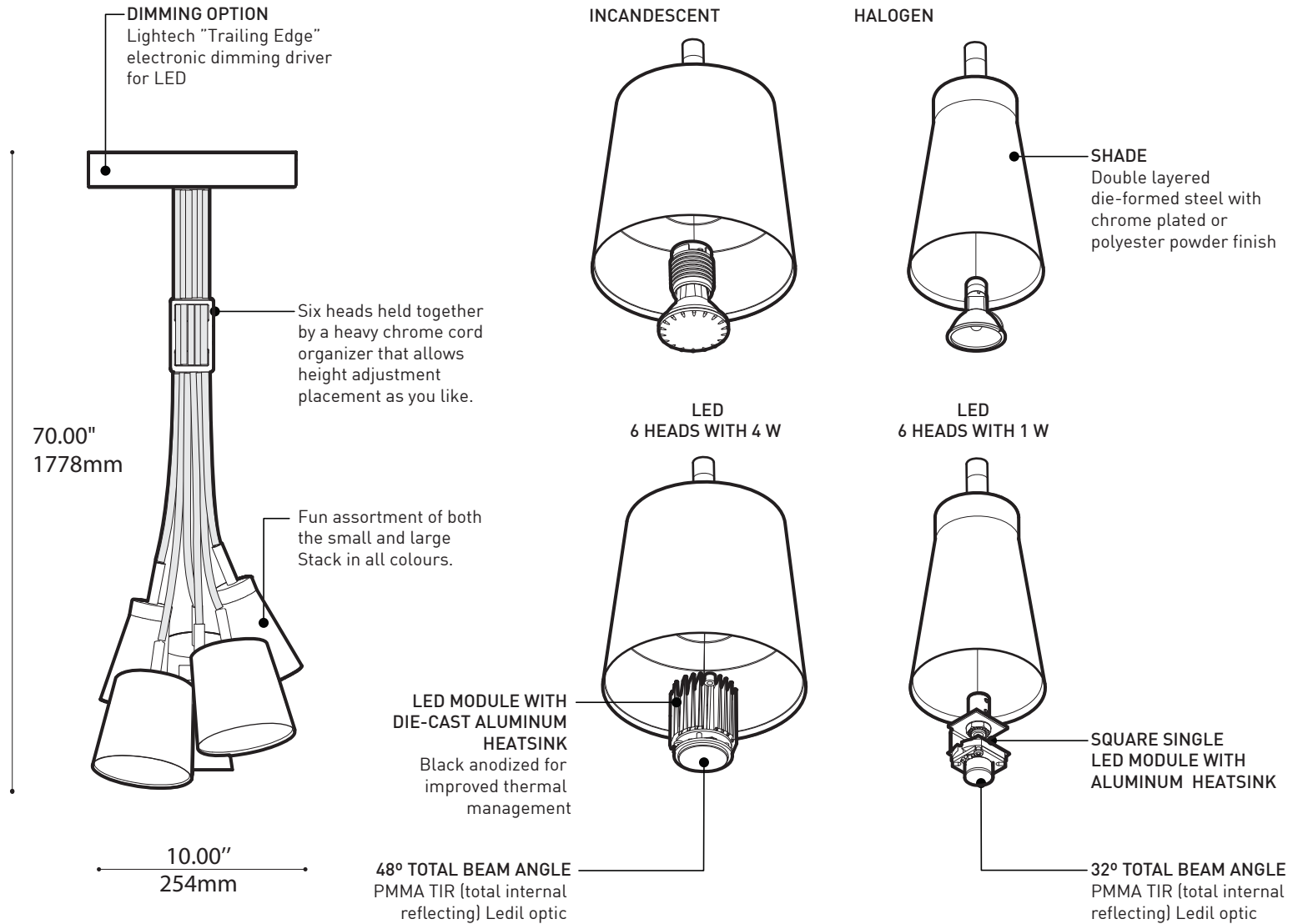
4424-SLS/STS,



4428-SLS/STS

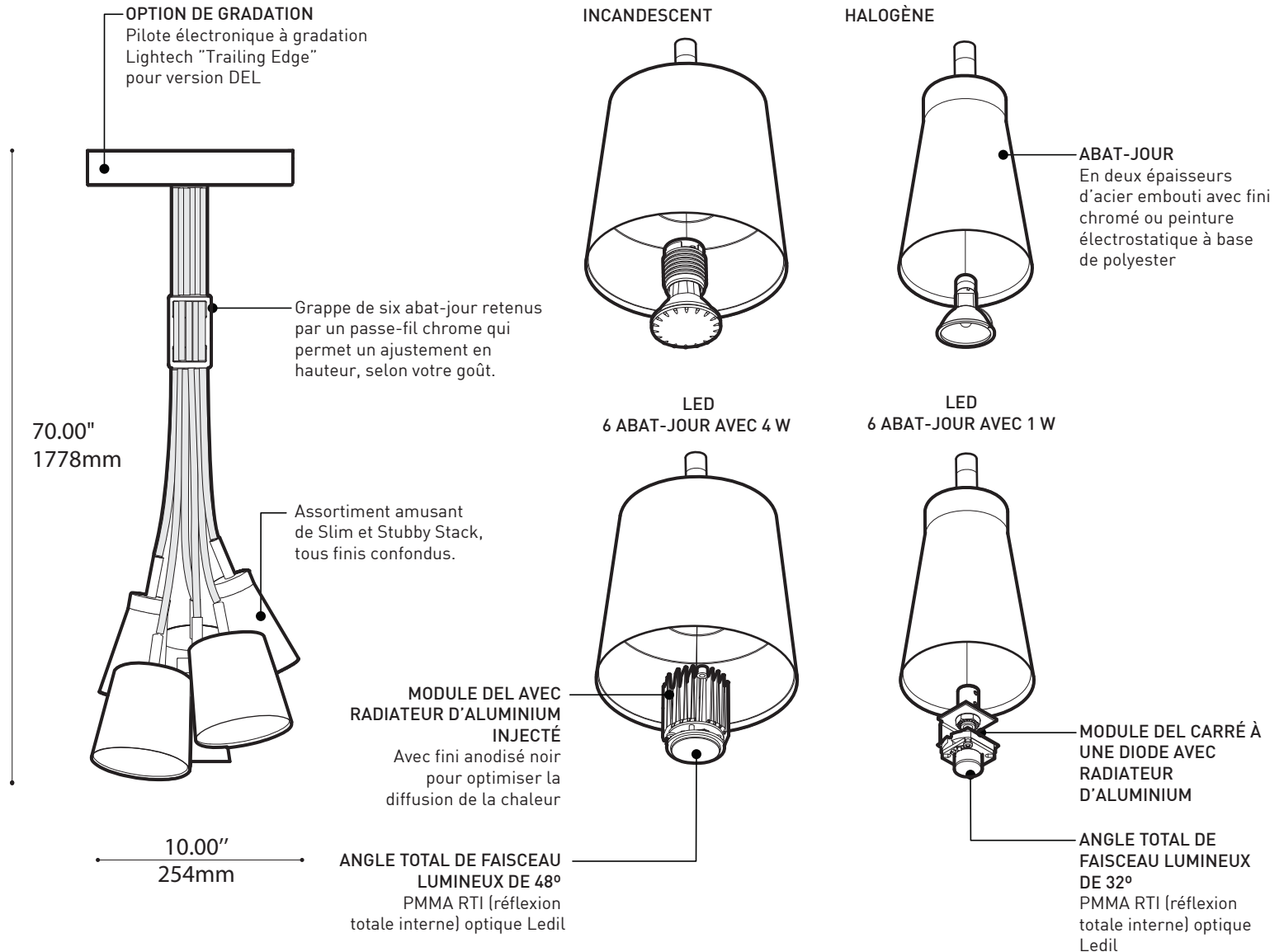


203X/403X



SPECIFICATIONS

SPECIFICATIONS	LED (6 X 4W)	LED (6 X 1W)	INCANDESCENT/HALOGEN
LIGHT SOURCE	6 x Nichia - total ±24 w	6 x Nichia total ±6 w	INC (50 w) - PAR20 or MR16 (20-50 w)
MODULE	UL recognized - made in USA		N/A
LUMENS (ESTIMATED)	4512 lm - 5616 lm (4000K)	840 lm (3000K) - 1080 lm (4000K)	N/A
CRI	85 CRI (typical)	85 CRI (typical)	N/A
ROHS	Compliant		
HEATSINK	Black anodized aluminium	Anodized aluminium	N/A
LIGHT DISTRIBUTION	Direct		
OPTICS	LEDIL TIR - 48° total beam angle	LEDIL TIR - 32° total beam angle	N/A
VOLTAGE	120V or 277V	120V	120V or 277V
DRIVER	350 mA	350 mA	Electronic low voltage transformer (for Hal)
DIMMING	Phase dimming (DP) or 0-10V dimming (DV)	N/A	Dimmable
LM-79	On request		
WARRANTY	5 years (on electronic components)		3-5 years (for halogen, on transformer, depending of the transformer)
CERTIFICATION	CSA recognized		



SPÉCIFICATIONS

SOURCE LUMINEUSE

MODULE

LUMENS (ESTIMÉ)

IRC

ROHS

RADIATEUR

DISTRIBUTION LUMINEUSE

OPTIQUE

VOLTAGE

PILOTE

GRADATION

LM-79

GARANTIE

CERTIFICATION

DEL (6 X 4W)

6 x Nichia - total ±24w

Reconnu par UL - Fabriqué aux États-Unis

4512 lm - 5616 lm (4000K)

85 IRC (typique)

Conforme

Aluminium anodisé noir

Direct

LEDIL TIR- angle total de faisceau de 48°

120V or 277V

350 mA

Gradation phase (DP) ou Gradation 0-10V (DV)

Sur demande

5 ans (sur les composantes électroniques)

Reconnu par CSA

DEL (6 X 1W)

6 x Nichia total ±6 w

840 lm (3000K) - 1080 lm (4000K)

85 IRC (typique)

Aluminium anodisé

LEDIL TIR- angle total de faisceau de 32° N/A

120V

Hatch 350mA

N/A

INCANDESCENT/HALOGÈNE

INC (50 w) - PAR20 ou MR16 (20-50 w)

N/A

N/A

N/A

N/A

120V or 277V

Transformateur électronique (pour Hal)

Intensité variable

3-5 ans (pour halogène, sur le transformateur, selon le transformateur)