

KOLOKOL 4452

PROJECT PROJET

SPEC TYPE

NOTES



OVERALL HEIGHT HAUTEUR HORS TOUT

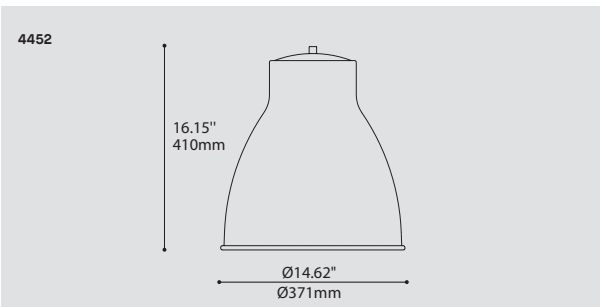
LIGHT SOURCE	LED	CFL	CFL DIM
MOUNTING	2403G	2402G	2402J
CABLE	77.90"	77.90"	54.40"
STEM	-	53.75"	54.25"

MOUNTING OPTIONS OPTIONS DE MONTAGE

2403G	2402G	2402J
Ø4.50" x 1.75" Ø114 x 44mm	Ø5.25" x 1.75" Ø133 x 44mm	Ø5.25" x 2.25" Ø133 x 57mm

STEM OR CABLE OPTIONS OPTIONS DE TIGE OU CABLE

STEM	AC CABLE
STD 36" 914mm	STD 60" 1523mm



ORDERING SPECIFICATION SPÉCIFICATION DE COMMANDE

MODEL MODÈLE **4452** CODE

4452 KOLOKOL

LIGHT SOURCE SOURCE LUMINEUSE

(WATTAGE, LAMP TYPE, LAMP FORM, BASE TYPE, OTHER INFO)
CF.T.42 26/32/42W, CFL, DOUBLE / TRIPLE TWIN TUBE, G24QU BASE
CF.T.57 57W, CFL, TRIPLE TWIN TUBE, G24Q5 BASE
LED.10 10W, LED

COLOR TEMPERATURE TEMPÉRATURE DE COULEUR

FOR LED ONLY
30 3000K
35 3500K
40 4000K

VOLTAGE VOLTAGE

120V 120 VOLT
277V 277 VOLT
347V* 347 VOLT
 *ONLY AVAILABLE WITH CF.T.42, CF.T.57 (NON-DIMMING BALLAST)

DIMMING OPTION OPTION DE GRADATION

AVAILABLE WITH CF.T.42 ONLY, MAXIMUM 36" STEM / AIRCRAFT CABLE LENGTH
DED LUTRON ECOSYSTEM ELECTRONIC DIMMING BALLAST (ECOSYSTEM DIGITAL LINK WIRING)
DE3 LUTRON ECOSYSTEM ELECTRONIC DIMMING BALLAST (3-WIRE WIRING)
 AVAILABLE WITH LED ONLY
DV 0-10V DIMMING (120-277V)
DP PHASE DIMMING (120V ONLY)
 LED DIMMING DRIVER IS STANDARD IN THIS PRODUCT, PLEASE SPECIFY YOUR DIMMING TYPE.

STEM OR CABLE TIGE OU CABLE

S10* 3/8" (10MM) STEM, NOT FIELD ADJUSTABLE
AC AIRCRAFT MOUNTING & CLEAR CABLE, FIELD ADJUSTABLE
 *NOT AVAILABLE WITH LED LIGHT SOURCE

STEM OR CABLE LENGTH LONGUEUR DE TIGE OU CABLE

36 36" STEM (STD LENGTH)
60 60" AIRCRAFT CABLE (STD LENGTH)
****** CUSTOM STEM LENGTH (PLEASE SPECIFY)
****** CUSTOM AIRCRAFT CABLE LENGTH (PLEASE SPECIFY)
 FOR OVERALL LENGTH PLEASE CONTACT YOUR EUREKA REPRESENTATIVE.

MOUNTING MONTAGE

RC ROUND CANOPY / PAVILLON ROND
 FOR CFL: 1.75" CANOPY (2402G)
 FOR DIMMING LED: 1.75" CANOPY (2403G)
 FOR DIMMING CFL: 2.25" CANOPY (2402J)

MOUNTING OPTION OPTION DE MONTAGE

SCA* SLOPE CEILING ADAPTOR / ADAPTATEUR DE PLAFOND EN PENTE (ROTATION: 350°, PIVOT: 90°)
 *ONLY AVAILABLE WITH A STEM

STRUCTURE FINISH FINI STRUCTURE^(B)

SC SATIN CHROME
BLK* BLACK
WH* WHITE
^(B) INCLUDE CANOPY FINISH IF A CANOPY IS SELECTED
 *LONGER LEAD TIME

DIFFUSER FINISH FINI DIFFUSEUR

SA SATIN ALUMINUM

ACRYLIC DIFFUSER FINISH FINI DIFFUSEUR ACRYLIQUE

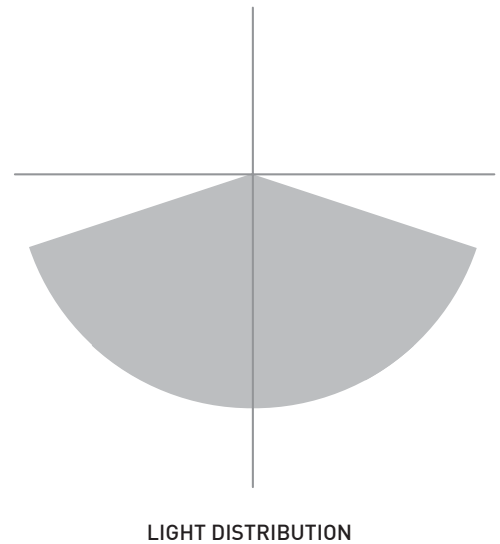
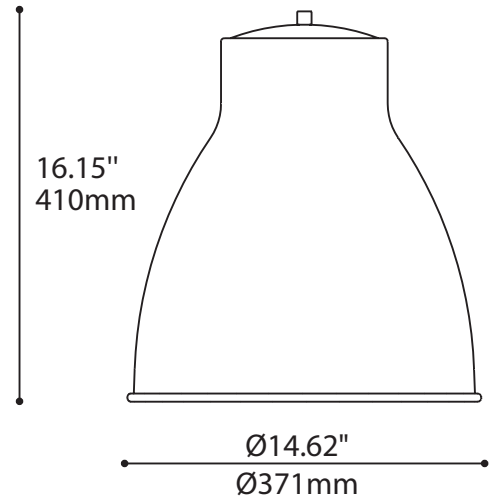
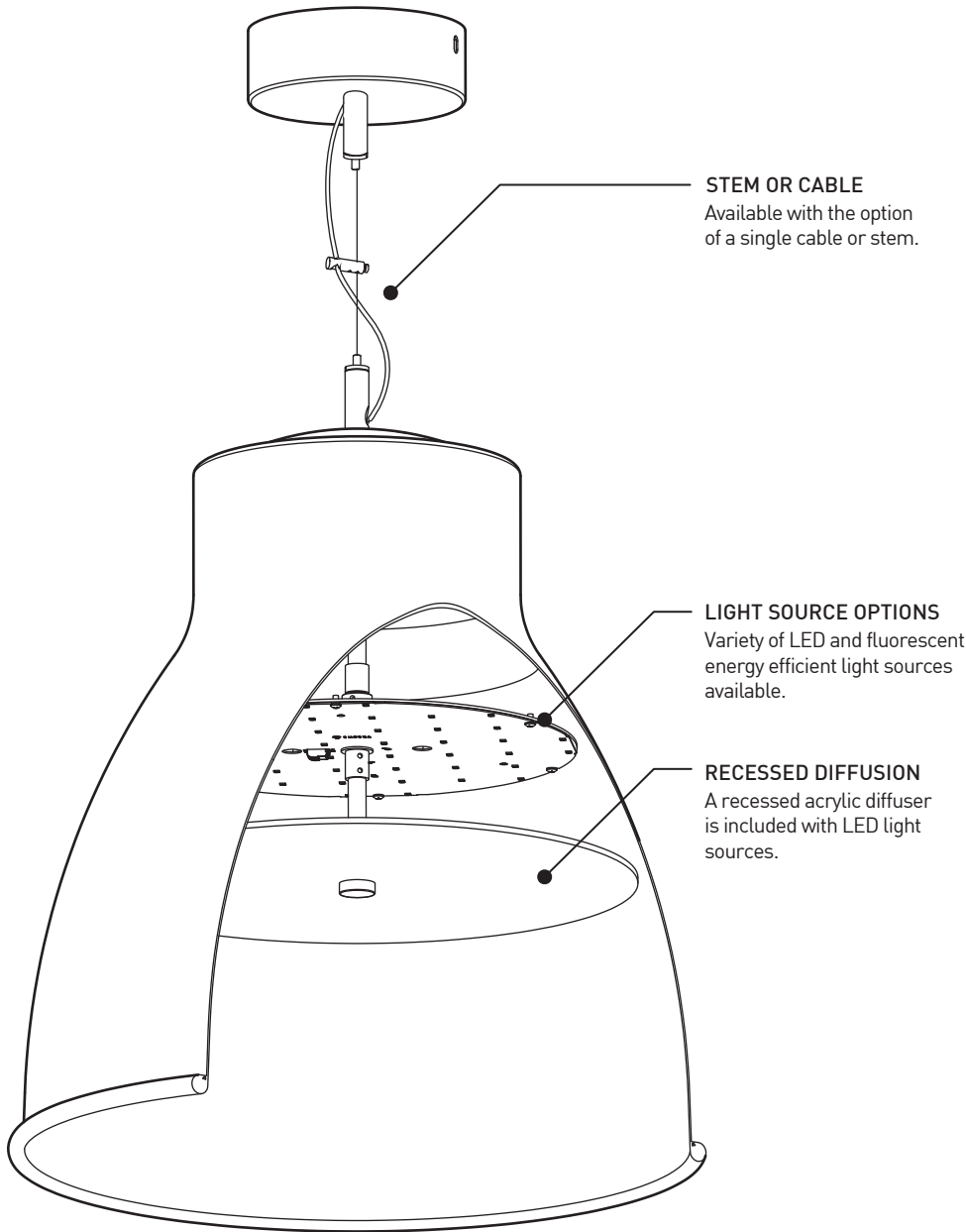
WH* WHITE
 *STANDARD WITH LED LIGHT SOURCES ONLY
 NOTE: LED OPTION HAS A RECESSED ACRYLIC DIFFUSER

PRODUCT CHARACTERISTICS CARACTÉRISTIQUES DU PRODUIT

BIM **DIM** **IES** **LED**

DESIGN: Dramatic, bell shaped aluminum shade makes an architectural statement.
STRUCTURE: Die-formed steel with a machined diffuser supports.
CERTIFIED: c-CSA-us

CONCEPTION: Abat-jour d'aluminium en forme de cloche donnant une prestance architecturale.
STRUCTURE: Structure d'acier embouti et support à diffuseur usiné.
CERTIFIÉ: c-CSA-us



SPECIFICATIONS

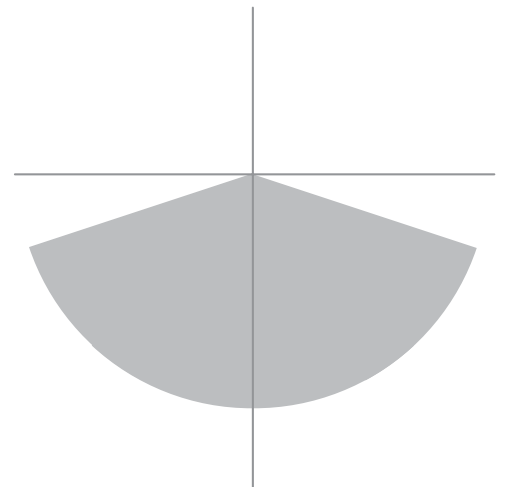
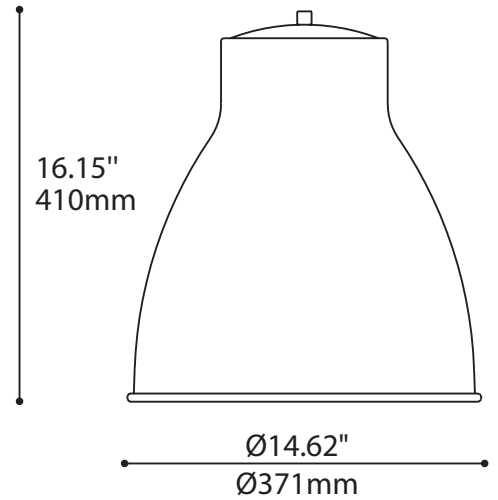
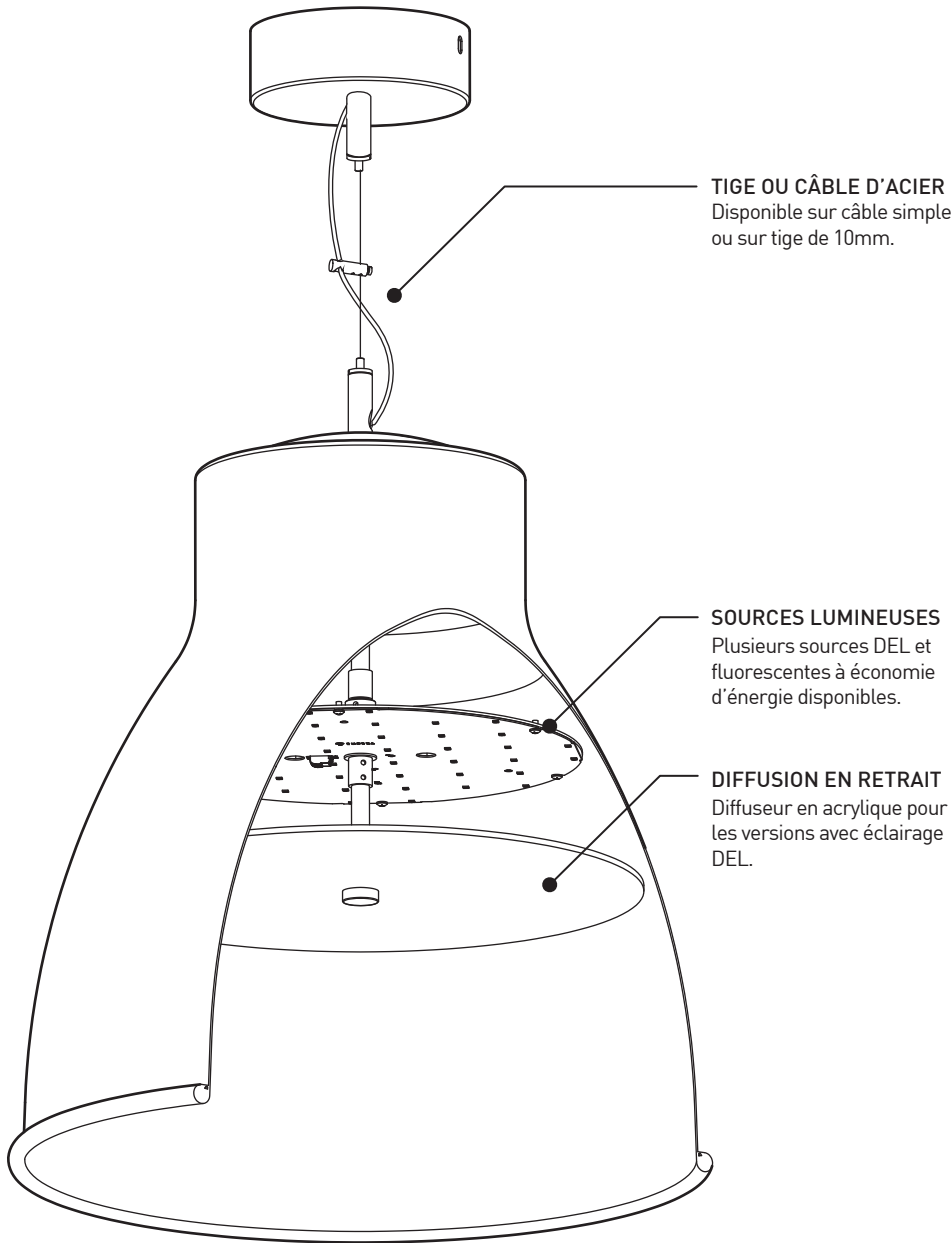
LIGHT SOURCE
DELIVERED LUMENS
SYSTEM WATTAGE
DRIVER / BALLAST
DIMMING
VOLTAGE
STRUCTURE
DIFFUSER
SUSPENSION
CERTIFICATION
WARRANTY

LED.XX

44 x Mid power LED on MCPCB
1043 lm
13.3W
16W CC 0-10V
DV 0-10V (120-277V) or DP PHASE DIMMING (120V)
120V or 277V
Die-formed steel with a machined diffuser support
Recessed laser cut 1/8" acrylic for LED version only
Single aircraft cable suspension of stem options available
c-CSA-us , c-UL-us (F.T5.C Circline only)
5 year warranty on LED fixtures, 1 year warranty on fluorescent fixtures

CF.T.57 | CF.T.42

Lutron Ecosystem Electronic Ballast
DED or DE3
120V or 277V or 347V



SPECIFICATIONS

LED.XX

CF.T.57 | CF.T.42

SOURCE LUMINEUSE	44 x LED de 0.25W puissance moyenne sur MCPCB	
LUMENS RÉELS	1043 lm	
PUISSANCE SYSTÈME	13.3W	
PILOTE / BALLAST	16W CC 0-10V	Ballast Électronique Lutron Ecosystem
GRADATION	DV 0-10V (120-277V) ou DP PHASE DIMMING (120V)	DED ou DE3
VOLTAGE	120V ou 277V	120V ou 277V ou 347V
STRUCTURE	Acier moulé avec un support à diffuseur usiné	
DIFFUSEUR	Acrylique de 3mm d'épaisseur coupé au laser pour la version DEL seulement	
SUSPENSION	Suspension disponible sur câble d'acier simple ou sur tige	
CERTIFICATION	c-CSA-us , c-UL-us (F.T5.C Circulaire seulement)	
GARANTIE	Garantie de 5 ans sur le luminaire en DEL, Garantie de 1 an sur le luminaire en fluorescent	