

LEX 4630

PROJECT PROJET

SPEC TYPE

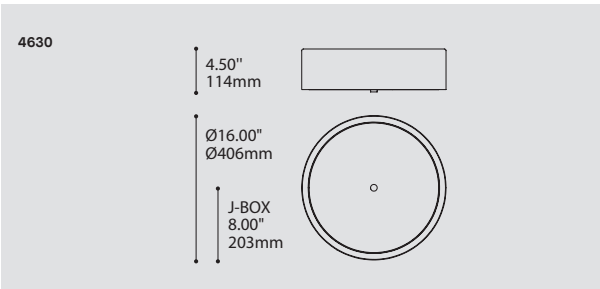
NOTES



FAMILY FAMILLE



4430



ORDERING SPECIFICATION SPÉCIFICATION DE COMMANDE

CODE

MODEL MODÈLE

4630 LEX


4630


LIGHT SOURCE SOURCE LUMINEUSE

(WATTAGE, LAMP TYPE, LAMP FORM, BASE TYPE, OTHER INFO)

2XCF.D.26  26W X 2, CFL, DOUBLE TWIN TUBE, G24Q3 BASE

3XCF.SP.18  18W X 3, CFL, SPIRAL, GU24 BASE (120V ONLY)

F.T5.C.40  40W, FLUO, CIRCULAR T5, 2GX13 BASE

LED.24  24W, LED

COLOR TEMPERATURE TEMPÉRATURE DE COULEUR

FOR LED ONLY

30 3000K

35 3500K

40 4000K

VOLTAGE VOLTAGE

120V 120 VOLT

277V 277 VOLT

347V* 347 VOLT

*ONLY AVAILABLE WITH 2XCF.D.26 & F.T5.C.40 (NON-DIMMING BALLAST)

DIMMING OPTION OPTION DE GRADATION

AVAILABLE WITH 2XCF.D.26 ONLY

DM1 ADVANCE MARK 10 ELECTRONIC DIMMING BALLAST

DM7 ADVANCE MARK 7 ELECTRONIC DIMMING BALLAST

DED LUTRON ECOSYSTEM ELECTRONIC DIMMING BALLAST (ECOSYSTEM DIGITAL LINK WIRING)

DE3 LUTRON ECOSYSTEM ELECTRONIC DIMMING BALLAST (3-WIRE WIRING)

AVAILABLE WITH LED ONLY

DV 0-10V DIMMING (120-277V)

DP PHASE DIMMING (120V ONLY)

LED DIMMING DRIVER IS STANDARD IN THIS PRODUCT. PLEASE SPECIFY YOUR DIMMING TYPE.

STRUCTURE FINISH FINI STRUCTURE

CHR CHROME

CHR

DIFFUSER FINISH FINI DIFFUSEUR

WH WHITE*

*WHEN LED LIGHT SOURCE IS SELECTED DIFFUSER WILL BE IN ACRYLIC

WH

PRODUCT CHARACTERISTICS CARACTÉRISTIQUES DU PRODUIT

BIM **DIM** **IES** **LED**

DESIGN: Boasting clean styling, this architectural statement is perfect for commercial or hospitality projects.

LIGHT SOURCE: Wide range of energy saving dimmable LED and fluorescent light sources.

STRUCTURE: Die-formed steel with a machined diffuser supports in chrome plated finish.

DIFFUSER: Crystal glass or acrylic (for LED).

CERTIFIED: c-CSA-us, c-UL-us

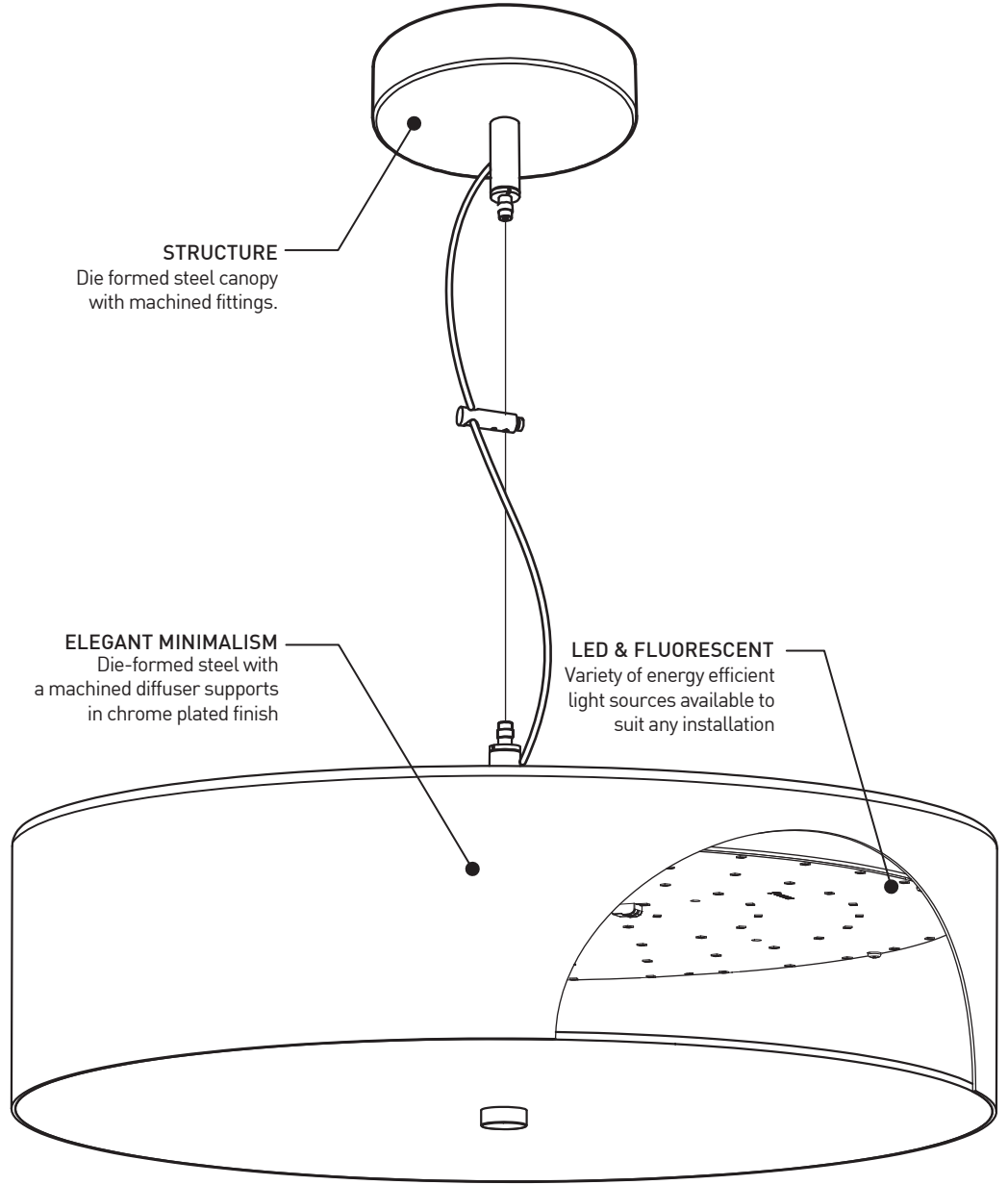
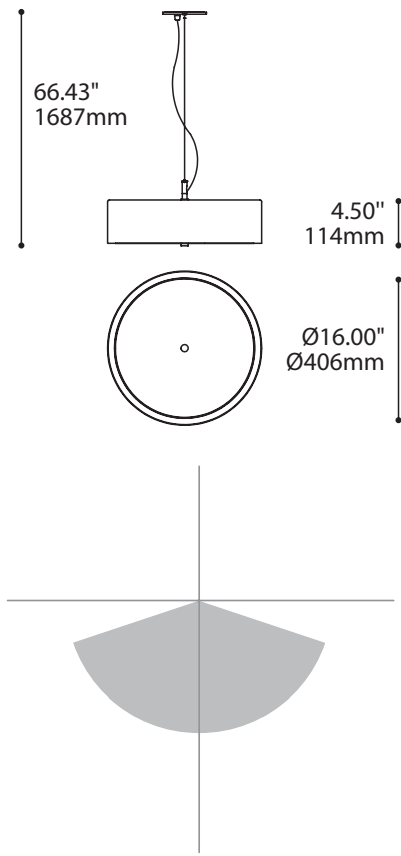
CONCEPTION: Forme nette et épurée apportant une prestance architecturale appropriée aux projets commerciaux ou hospitaliers.

SOURCE LUMINEUSE: Plusieurs sources à faible consommation. Gradation offerte.

STRUCTURE: Structure d'acier repoussé et support à diffuseur usiné et chromé.

DIFFUSEUR: Verre cristal ou acrylique (pour DEL).

CERTIFIÉ: c-CSA-us, c-UL-us



SPECIFICATIONS

DRIVER / BALLAST

LED.24.30 | LED.24.40

25W CC

2XCF.D

ADVANCE MARK 10 ELECTRONIC DIMMING BALLAST

2XCF.SP

DIMMING

DV 0-10V (120-277V) or DP PHASE DIMMING (120V)

DM1

VOLTAGE

120V-277V

120V or 277V or 347V

STRUCTURE

Die-formed steel with a machined diffuser supports in chrome plated finish

DIFFUSER

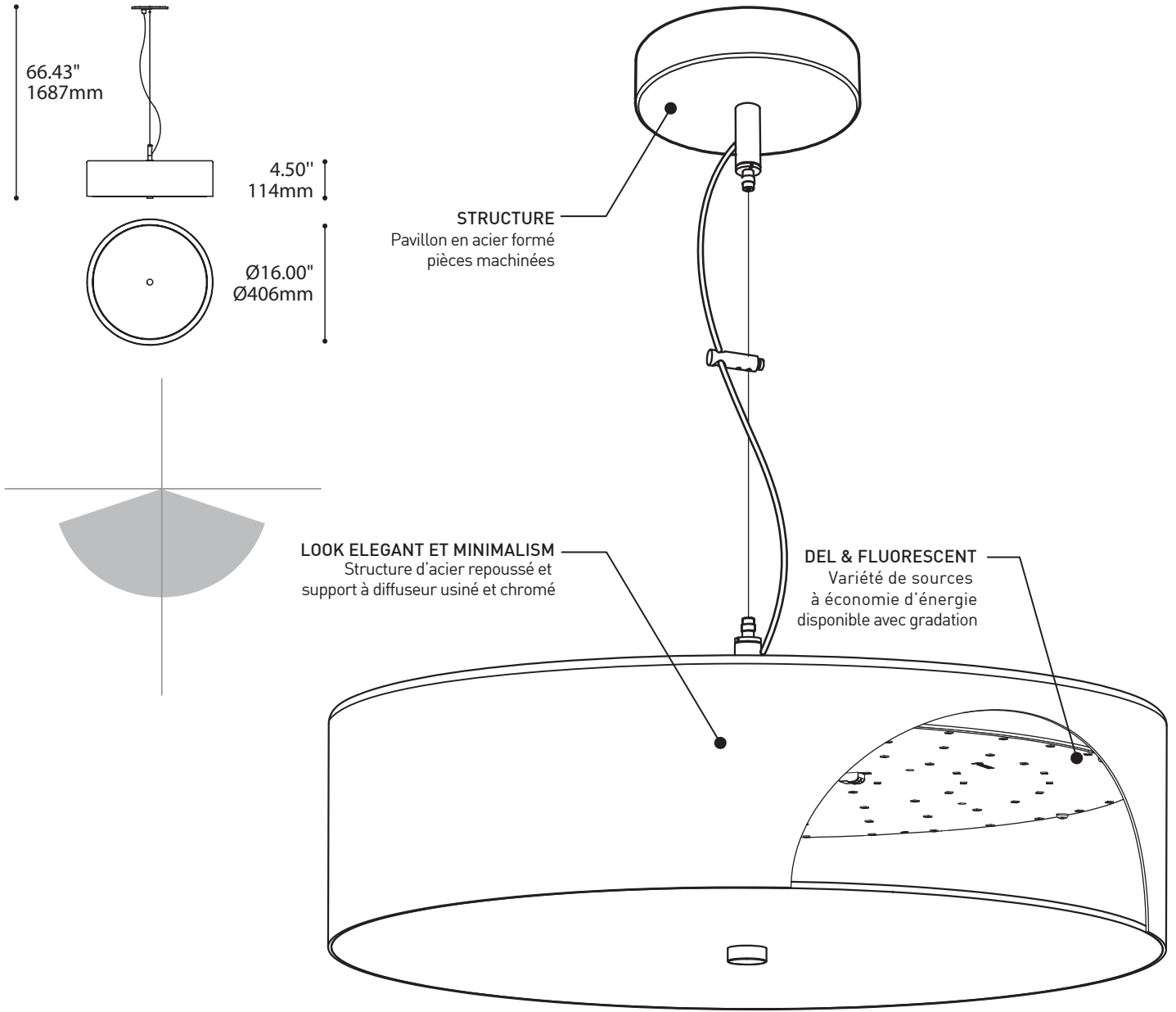
Crystal glass or acrylic when LED light source is selected

CERTIFICATION

c-CSA-us, c-UL-us

WARRANTY

5 year warranty on LED fixtures, 1 year warranty on fluorescent fixtures



SPECIFICATIONS

LED.24.30 | LED.24.40

2XCF.D

2XCF.SP

PILOTE / BALLAST

25W CC

BALLAST ÉLECTRONIQUE À GRADATION ADVANCE MARK 10

GRADATION

DV 0-10V (120-277V) ou GRADATION DP PHASE (120V)

DM1

VOLTAGE

120V-277V

120V ou 277V ou 347V

STRUCTURE

Structure d'acier repoussé et support à diffuseur usiné et chromé

DIFFUSEUR

Verre Cristal ou acrylique si la source DEL est choisie

CERTIFICATION

c-CSA-us, c-UL-us

GARANTIE

Garantie de 5 ans sur le luminaire en DEL, Garantie de 1 an sur les luminaires en fluorescent