

TENOR 4640

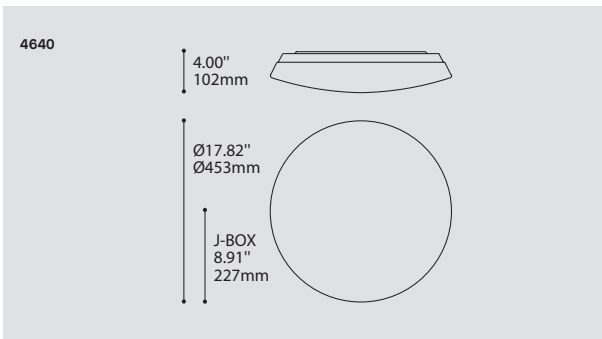
PROJECT PROJÉT
SPEC TYPE
NOTES



FAMILY FAMILLE



4640



ORDERING SPECIFICATION	SPÉCIFICATION DE COMMANDE	CODE
MODEL MODÈLE	4640 TENOR	4640
LIGHT SOURCE SOURCE LUMINEUSE	LED	LED
<small>(WATTAGE, LAMP TYPE, LAMP FORM, BASE TYPE, OTHER INFO)</small>		
LED	REGULAR OUTPUT	
COLOR TEMPERATURE TEMPÉRATURE DE COULEUR		
30	3000K	
35	3500K	
40	4000K	
VOLTAGE VOLTAGE		
120V	120 VOLT	
277V	277 VOLT	
DIMMING OPTION OPTION DE GRADATION		
DV	0-10V DIMMING (120-277V)	
DP	PHASE DIMMING (120V ONLY)	
<small>*ONLY AVAILABLE WITH 2XCF.D.26 & F.T5.C.40 (NON-DIMMING BALLAST)</small>		
STRUCTURE FINISH FINI STRUCTURE		SC
SC	SATIN CHROME	
DIFFUSER FINISH FINI DIFFUSEUR		WH
WH	WHITE	
ACCESSORY ACCESSOIRE		3983
3983	DEEP JUNCTION BOX (PROVIDED)	

PRODUCT CHARACTERISTICS CARACTÉRISTIQUES DU PRODUIT

BIM **DIM**

DESIGN:	Sublimely simple architectural shade screws onto base for easy installation & maintenance.
LIGHT SOURCE:	Energy efficient LED light source.
STRUCTURE:	Die-stamped steel structure with plated finish.
DIFFUSER:	Hand blown white triplex glass.
CERTIFIED:	c-CSA-us
CONCEPTION:	Sublimement simple, le verre se visse à la structure pour une installation et un entretien simple.
SOURCE LUMINEUSE:	Source lumineuse DEL à faible consommation.
STRUCTURE:	Acier embouti plaqué.
DIFFUSEUR:	Verre triplex blanc soufflé à la main.
CERTIFIÉ:	c-CSA-us