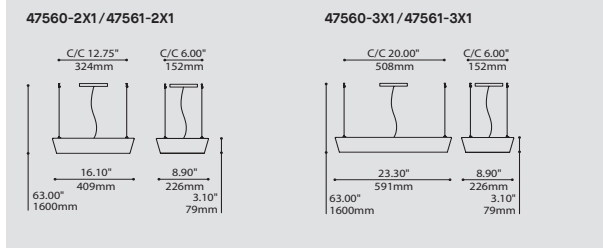
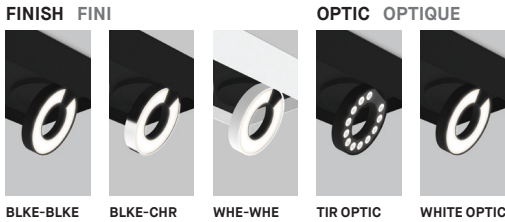
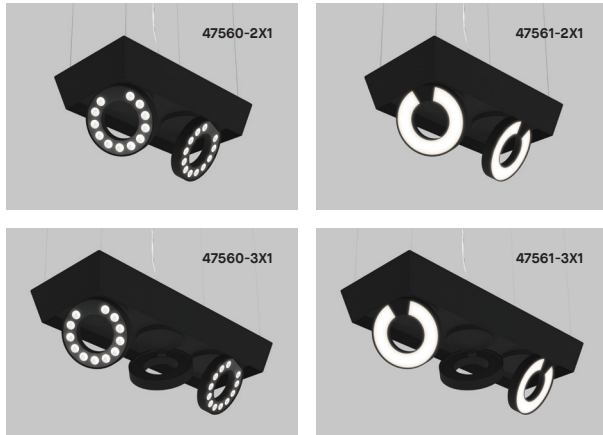


# FLEET 47560 / 47561

PROJECT PROJÉT
SPEC TYPE
NOTES



ORDERING SPECIFICATION	SPÉCIFICATION DE COMMANDE	CODE
<b>MODEL</b> MODÈLE		
47560-2X1	FLEET – TIR OPTIC (TWO PROJECTORS)	
47560-3X1	FLEET – TIR OPTIC (THREE PROJECTORS)	
47561-2X1	FLEET – WHITE OPTIC (TWO PROJECTORS)	
47561-3X1	FLEET – WHITE OPTIC (THREE PROJECTORS)	
<b>LIGHT SOURCE</b> SOURCE LUMINEUSE		
LED	REGULAR OUTPUT	
LED.HO	HIGH OUTPUT	
<b>COLOR TEMPERATURE</b> TEMPÉRATURE DE COULEUR		
27*	2700K	
30	3000K	
35	3500K	
40	4000K	
* LONGER LEAD TIME MAY APPLY, PLEASE CONTACT YOUR EUREKA REPRESENTATIVE		
<b>BEAM ANGLE</b> ANGLE DE FAISCEAU <sup>(A)</sup>		
NA	NARROW (18°)	
ME	MEDIUM (44°)	
<sup>(A)</sup> ONLY AVAILABLE FOR FLEET – TIR OPTIC (47560)		
<b>COLOR RENDERING INDEX (CRI)</b> INDICE DE RENDU DE COULEUR (IRC)		
80	80+ CRI	
90*	90+ CRI	
* LONGER LEAD TIME MAY APPLY, PLEASE CONTACT YOUR EUREKA REPRESENTATIVE		
<b>VOLTAGE</b> VOLTAGE		
120V	120 VOLT	
277V	277 VOLT	
<b>DIMMING OPTION</b> OPTION DE GRADATION		
DV	0-10V DIMMING (120V-277V)	
DP	PHASE DIMMING (120V ONLY)	
LED DIMMING DRIVER IS STANDARD IN THIS PRODUCT, PLEASE SPECIFY YOUR DIMMING TYPE.		
<b>CABLE</b> CÂBLE		<b>AC</b>
AC	AIRCRAFT MOUNTING & CLEAR CABLE, FIELD ADJUSTABLE	
<b>CABLE LENGTH</b> LONGUEUR DE CÂBLE		
60	60" AIRCRAFT CABLE (STD LENGTH)	
**	CUSTOM AIRCRAFT CABLE LENGTH (PLEASE SPECIFY)	
FOR OVERALL LENGTH, PLEASE CONTACT YOUR EUREKA REPRESENTATIVE		
<b>MOUNTING</b> MONTAGE		<b>RC</b>
RC	ROUND CANOPY / PAVILLON ROND SCREWLESS 0.5" CANOPY (2471C)	
<b>CANOPY FINISH</b> FINI PAVILLON <sup>(B)</sup>		
BLKE	BLACK FINE TEXTURE	
WHE	WHITE FINE TEXTURE	
<sup>(B)</sup> IF NO FINISH IS SELECTED, CANOPY FINISH WILL BE THE SAME AS STRUCTURE FINISH		
<b>STRUCTURE FINISH</b> FINI STRUCTURE <sup>(C)</sup>		
BLKE	BLACK FINE TEXTURE	
WHE	WHITE FINE TEXTURE	
<sup>(C)</sup> INNER STRUCTURE IS ALWAYS BLACK		
<b>RING FINISH</b> FINI ANNEAU <sup>(D)</sup>		
BLKE	BLACK FINE TEXTURE	
WHE	WHITE FINE TEXTURE	
CHR	CHROME	
<sup>(D)</sup> FOR FLEET – WHITE OPTIC (47561), DIFFUSER IS ALWAYS WHITE		

## PRODUCT CHARACTERISTICS CARACTÉRISTIQUES DU PRODUIT

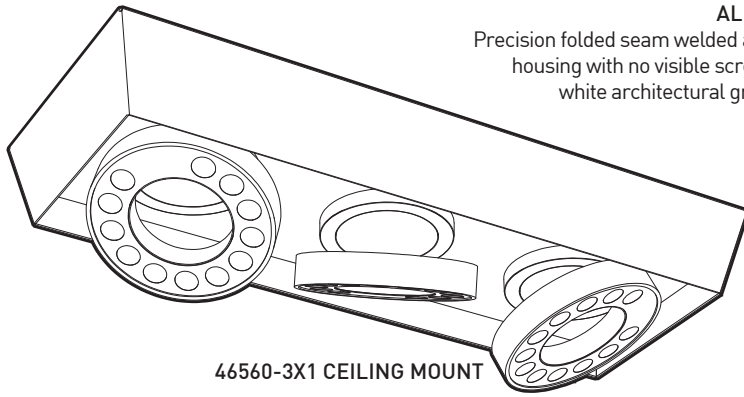


- DESIGN:** Fleet broadens the possibilities of our powerful Dial projector with a modern and distinctive package. Available in two formats: small (2 projectors) or large (3 projectors).
- INSTALLATION:** Straightforward installation with no visible screws. The three independent projectors can effortlessly be oriented without tools due to their precisely engineered two-axis hinge.
- LIGHT SOURCE:** Composed of either two or three Dial projectors, the Fleet is available in two different light outputs. Offered with standard dimming options 0-10V (DV) or phase (DP).
- STRUCTURE:** Precision folded seam welded and polished sheet metal housing, coated with black or white architectural grade fine texture finishes.
- CERTIFIED:** c-CSA-us

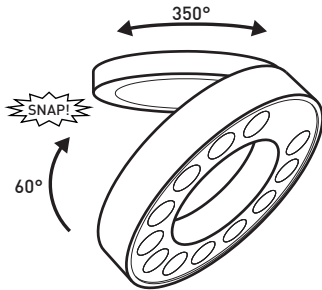
# FLEET 4X56X

## ALL ABOUT THE DETAILS

Precision folded seam welded and polished sheet metal housing with no visible screws, coated with black or white architectural grade fine texture finishes.

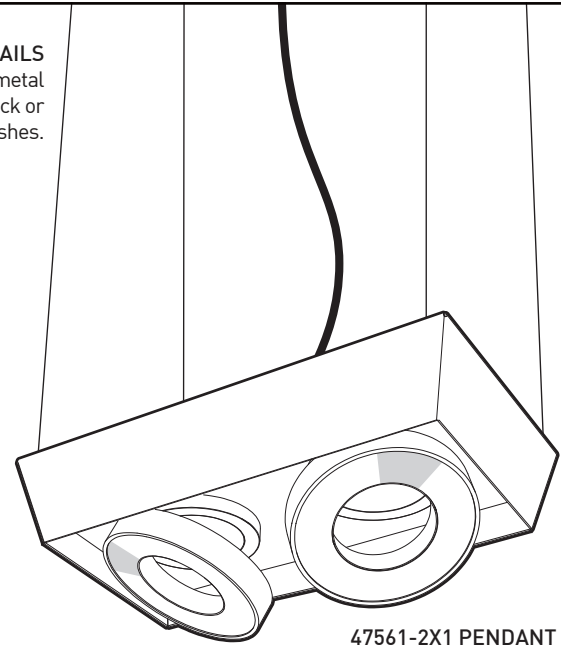


46560-3X1 CEILING MOUNT



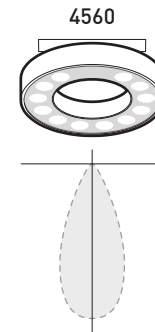
## VERSATILE PROJECTORS

Each Fleet is equipped with 2 or 3 projectors that can independently rotate 350° and be angled up to 60°.

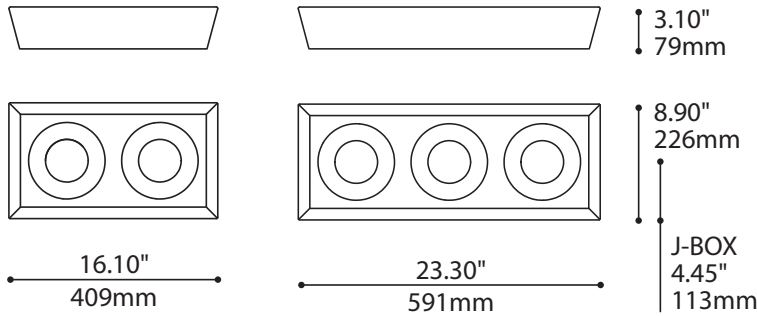
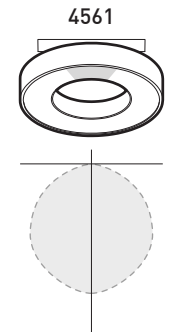


47561-2X1 PENDANT

**DIRECT PROJECTOR**  
High precision optics create a tight beam angle



**AMBIENT GLOW**  
Translucent diffuser creates a Lambertian distribution



## PRODUCT SPECIFICATION

4X560-2X1      4X560-3X1      4X561-2X1      4X561-3X1

### PERFORMANCE

SYSTEM WATTAGE (REG/HO)	28W / 42W	41W / 55W	28W / 44W	43W / 58W
DELIVERED LUMENS (4000K)	2318LM / 3300LM	3478LM / 4445LM	1396LM / 2012LM	2096LM / 2708LM

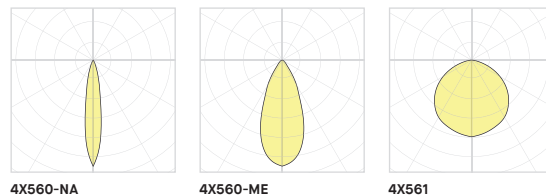
### OTHER INFORMATION

LUMINAIRE'S WEIGHT	10LBS / 4.6KG	14.5LBS / 6.6KG	10LBS / 4.6KG	14.5LBS / 6.6KG
OPTICS	NARROW(18°) / MEDIUM(44°)	NARROW(18°) / MEDIUM(44°)	TRANSLUCENT ACRYLIC	TRANSLUCENT ACRYLIC

## EFFICACY MULTIPLIERS

CRI	CCT	4X560	4X561
80+	4000K	1.00	1.00
80+	3500K	0.96	0.98
80+	3000K	0.92	0.94
80+	2700K	0.91	0.91
90+	4000K	0.81	0.88
90+	3500K	0.77	0.85
90+	3000K	0.74	0.81
90+	2700K	0.69	0.77

## LIGHT DISTRIBUTION

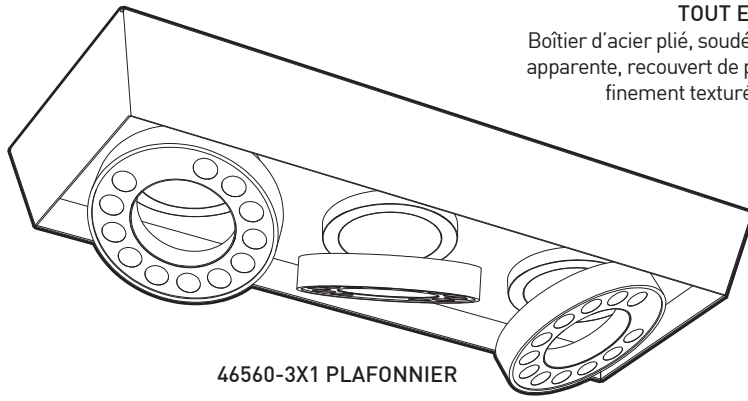


Visit our website for warranty terms and conditions.



## TECHNICAL DATA

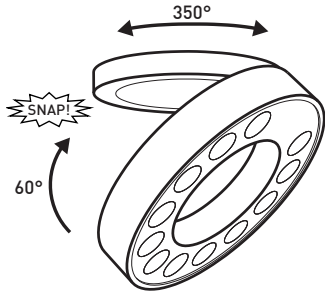
# FLEET 4X56X



46560-3X1 PLAFONNIER

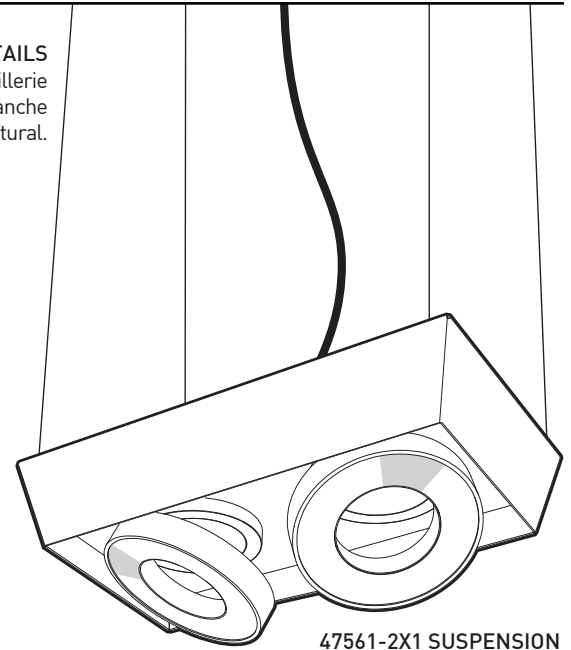
## TOUT EST DANS LES DÉTAILS

Boîtier d'acier plié, soudé et poli sans quincaillerie apparente, recouvert de peinture noire ou blanche finement texturée de grade architectural.



## PROJECTEURS VERSATILES

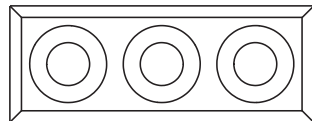
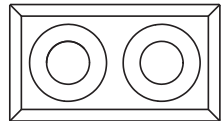
Chaque Fleet est équipé de deux ou trois projecteurs qui peuvent tourner sur 350° et pivoter de 60°.



47561-2X1 SUSPENSION



3.10"  
79mm



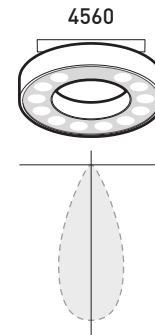
8.90"  
226mm

16.10"  
409mm

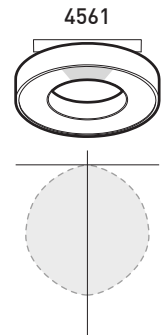
23.30"  
591mm

J-BOX  
4.45"  
113mm

**PROJECTEUR DIRECT**  
Optiques de haute précision créant un faisceau de lumière étroit



**LUMIÈRE AMBIANTE**  
Diffuseur translucide créant une distribution Lambertienne



## SPÉCIFICATION PRODUIT

4X560-2X1

4X560-3X1

4X561-2X1

4X561-3X1

### PERFORMANCE

PUISSANCE TOTALE	28W / 42W	41W / 55W	28W / 44W	43W / 58W
LUMENS RÉELS (4000K)	2318LM / 3300LM	3478LM / 4445LM	1396LM / 2012LM	2096LM / 2708LM

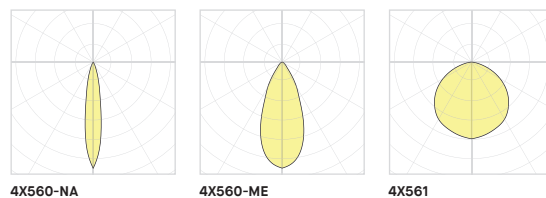
### AUTRES INFORMATION

POIDS PAR TÊTE OPTIQUES	10LBS / 4.6KG ÉTROIT(18°) / MOYEN(44°)	14.5LBS / 6.6KG ÉTROIT(18°) / MOYEN(44°)	10LBS / 4.6KG ACRYLIQUE TRANSLUCIDE	14.5LBS / 6.6KG ACRYLIQUE TRANSLUCIDE
-------------------------	---	---	--	--

## FACTEUR D'EFFICACITÉ

IRC	CCT	4X560	4X561
80+	4000K	1.00	1.00
80+	3500K	0.96	0.98
80+	3000K	0.92	0.94
80+	2700K	0.91	0.91
90+	4000K	0.81	0.88
90+	3500K	0.77	0.85
90+	3000K	0.74	0.81
90+	2700K	0.69	0.77

## DISTRIBUTION LUMINEUSE



Visitez notre site Web pour les termes et conditions.



## DONNÉES TECHNIQUES