

HEX AREA 4821X

PROJECT PROJÉT
SPEC TYPE
NOTES



FINISH FINI



BLKE-CHF

WHE-SGF

LGE-SGF

FAMILY FAMILLE



4721 (CEILING SURFACE)

4721 (WALL SURFACE)

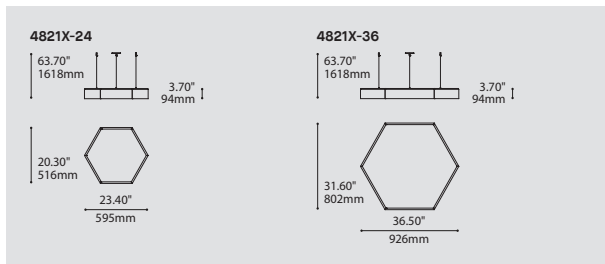
4820



4720 (WALL SURFACE)

4810

4710 (CEILING SURFACE)



ORDERING SPECIFICATION SPÉCIFICATION DE COMMANDE

CODE

MODEL MODÈLE

4821-24	HEX AREA 24" – ACOUSTIC (NO LIGHT SOURCE)
4821I-24	HEX AREA 24" – ACOUSTIC WITH INDIRECT LIGHT SOURCE
4821-36	HEX AREA 36" – ACOUSTIC (NO LIGHT SOURCE)
4821I-36	HEX AREA 36" – ACOUSTIC WITH INDIRECT LIGHT SOURCE

LIGHT SOURCE SOURCE LUMINEUSE

4821DI	
LED	REGULAR OUTPUT INDIRECT
LED.HO	HIGH OUTPUT INDIRECT

COLOR TEMPERATURE TEMPÉRATURE DE COULEUR

27*	2700K
30	3000K
35	3500K
40	4000K

* LONGER LEAD TIME MAY APPLY, PLEASE CONTACT YOUR EUREKA REPRESENTATIVE

COLOR RENDERING INDEX (CRI) INDICE DE RENDU DE COULEUR (IRC)

80	80+ CRI
90*	90+ CRI

* LONGER LEAD TIME MAY APPLY, PLEASE CONTACT YOUR EUREKA REPRESENTATIVE

VOLTAGE VOLTAGE

120V	120 VOLT
277V	277 VOLT

DIMMING OPTION OPTION DE GRADATION

DV	0-10V DIMMING (120V-277V)
DP	PHASE DIMMING (120V ONLY)

LED DIMMING DRIVER IS STANDARD IN THIS PRODUCT, PLEASE SPECIFY YOUR DIMMING TYPE.

EMERGENCY BATTERY BATTERIE D'URGENCE

EM	EMERGENCY BATTERY
----	-------------------

CABLE CABLE

AC	AIRCRAFT MOUNTING & CLEAR CABLE, FIELD ADJUSTABLE	AC
----	---	----

CABLE LENGTH LONGUEUR DE CABLE

60	60" AIRCRAFT CABLE (STD LENGTH)
**	CUSTOM AIRCRAFT CABLE LENGTH (PLEASE SPECIFY)

FOR OVERALL LENGTH, PLEASE CONTACT YOUR EUREKA REPRESENTATIVE.

CANOPY FINISH FINI PAVILLON (A)

BLKE	BLACK FINE TEXTURE
WHE	WHITE FINE TEXTURE

(A) ONLY REQUIRED FOR 4821I

HOUSING FINISH FINI BOITIER

BLKE	BLACK FINE TEXTURE
WHE	WHITE FINE TEXTURE
LGE	LIGHT GREY FINE TEXTURE
RAL*	PLEASE SPECIFY RAL CODE

* LONGER LEAD TIME MAY APPLY, PLEASE CONTACT YOUR EUREKA REPRESENTATIVE

FELT FINISH FINI FEUTRE

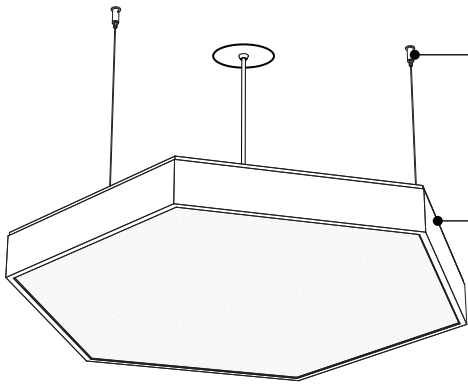
CHF	CHARCOAL FELT
SGF	SILVER GREY FELT

PRODUCT CHARACTERISTICS CARACTÉRISTIQUES DU PRODUIT



DESIGN:	Large format, sound absorbing hexagonal direct pendants in Ø24" and Ø36" with optional uplight modules.
LIGHT SOURCE:	High performance LED modules with standard 0-10V or phase dimming driver integrated within the fixture. The product is also available with no light source
STRUCTURE:	Aluminium extrusion frame and die-formed steel backplate with polyester powder finish.
ACOUSTIC:	High density 9mm polyester felt with acoustical properties of 0.75 NRC (material only).
CERTIFIED:	c-CSA-us

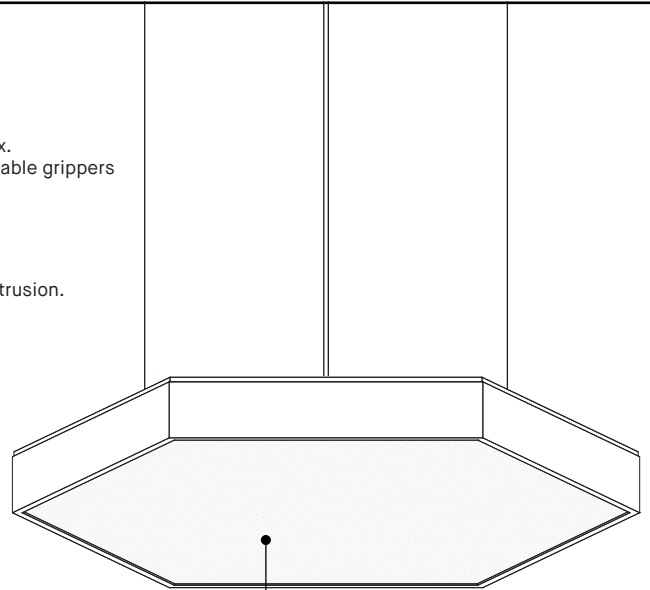
HEX AREA ACOUSTIC 4821



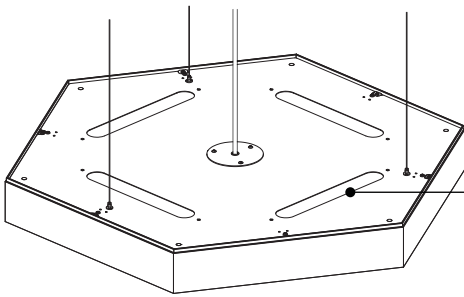
SIMPLIFIED INSTALLATION
Position 3 steel aircraft cables anywhere around a junction box. Easy levelling with adjustable cable grippers

SIMPLE AND CLEAN HOUSING
Precision welded aluminium extrusion. Clean geometry on the outside, structural details on the inside

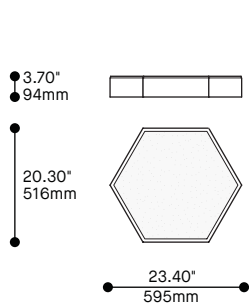
4821-36 / 4821I-36



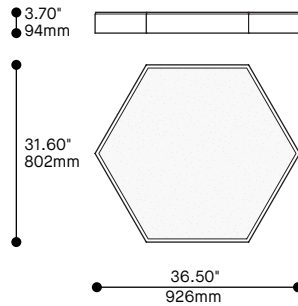
FELT
High density polyester felt panels made from recycled bottles (PET). The panels are recyclable



INDIRECT LIGHTING
Dedicated LED indirect lighting modules (4821I)
Minimum suspension height of 18" (4821I)
Powder-coated steel covers (4821)



4821-24 / 4821I-24



4821-36 / 4821I-36



NOISE REDUCTION
The center of the product is a large sound absorbing panel that increase acoustic comfort. The panel is available in 2 color: charcoal or silver gray



Also available in lighting version. See product 4820.

PRODUCT SPECIFICATION	4821-24	4821-36	4821I-24	4821I-36
-----------------------	---------	---------	----------	----------

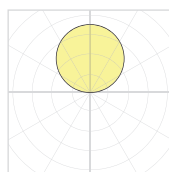
PERFORMANCE				
SYSTEM WATTAGE	-	-	19.8W / 39.6W	26.6W / 52.2W
DELIVERED INDIRECT LUMENS (4000K)	-	-	2348LM / 4697LM	3089LM / 6179LM
EFFICACY	-	-	119LM/W	118LM/W

OTHER INFORMATION				
POIDS	11.6LBS / 5.3KG	22.7LBS / 10.3KG	12.5LBS / 5.7KG	23.6LBS / 10.7KG
FEUTRE	HIGH DENSITY 9MM POLYESTER FELT			
ACOUSTIC	ACOUSTIC MATERIAL RATED AT 0.75 NRC			
RÉSISTANCE AU FEU	ASTM E84-13 (FELT MATERIAL ONLY)			

EFFICACY MULTIPLIERS

CRI	CCT	FACTOR
80+	4000K	1.00
80+	3500K	0.98
80+	3000K	0.94
80+	2700K	0.91
90+	4000K	0.88
90+	3500K	0.85
90+	3000K	0.81
90+	2700K	0.77

LIGHT DISTRIBUTION



4821I-XX

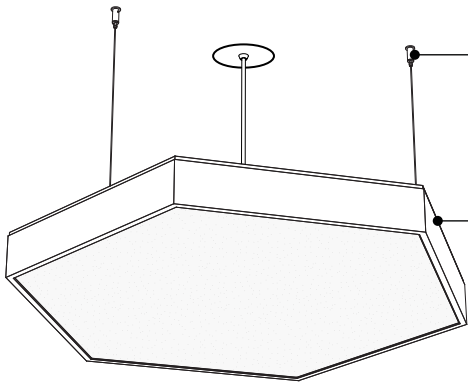


Visit our website for warranty terms and conditions.



TECHNICAL DATA

HEX AREA ACOUSTIQUE 4821



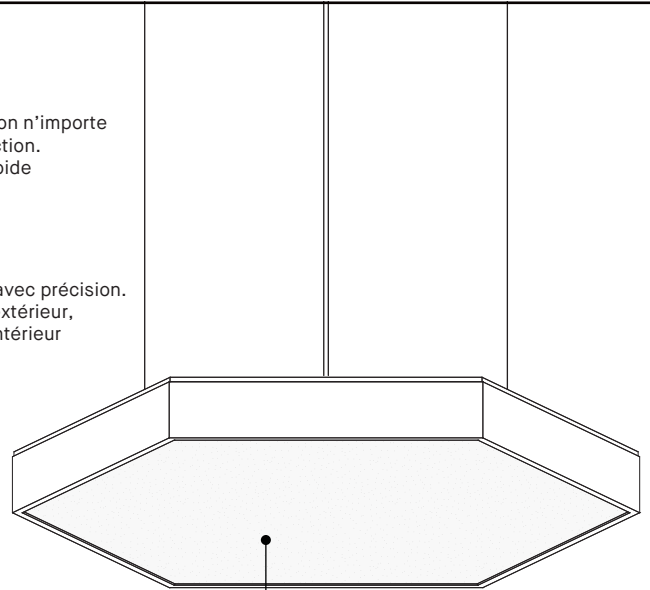
INSTALLATION SIMPLIFIÉE

Situer les 3 câbles de suspension n'importe où autour de la boîte de connexion. Mise à niveau et équilibrage rapide avec serre câbles ajustables

BOÎTIER SOBRE

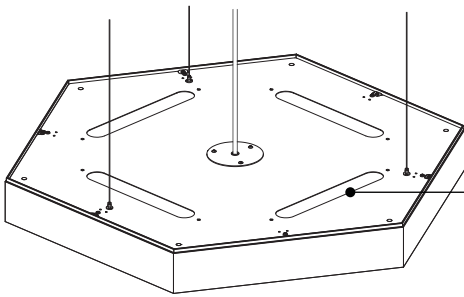
Extrusion d'aluminium soudée avec précision. Lignes nettes et modernes à l'extérieur, détails structuraux cachés à l'intérieur

4821-36 / 4821I-36



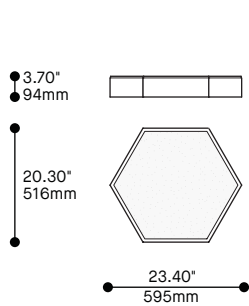
FEUTRE

Panneaux de polyester haute densité faits de bouteilles de plastique recyclées (PET) Les panneaux sont recyclables

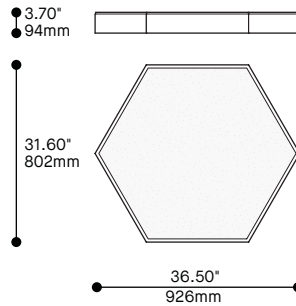


ÉCLAIRAGE INDIRECT

Module LED d'éclairage indirect (4821I)
Suspension minimum de 18" (4821I)
Plaquettes en acier peintes (4821)



4821-24 / 4821I-24



4821-36 / 4821I-36



ATTÉNUATION DU BRUIT

Le centre de produit est un grand panneau acoustique qui absorbe le son. Le panneau est disponible en 2 couleurs: gris charbon ou gris argenté



Aussi disponible en version luminaire. Voir le produit 4820.

SPÉCIFICATION PRODUIT

4821-24

4821-36

4821I-24

4821I-36

PERFORMANCE

	4821-24	4821-36	4821I-24	4821I-36
PUISSANCE TOTALE	-	-	19.8W / 39.6W	26.6W / 52.2W
LUMENS RÉELS INDIRECT (4000K)	-	-	2348LM / 4697LM	3089LM / 6179LM
EFFICACITÉ			119LM/W	118LM/W

AUTRES INFORMATION

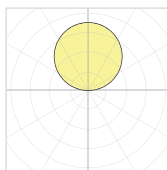
X

	11.6LBS / 5.3KG	22.7LBS / 10.3KG	12.5LBS / 5.7KG	23.6LBS / 10.7KG
POIDS				
FEUTRE	FEUTRE DE POLYESTER HAUTE DENSITÉ 9MM			
ACOUSTIC	MATÉRIEL ACOUSTIQUE GRADÉ À 0.75 NRC			
RÉSISTANCE AU FEU	ASTM E84-13 (MATÉRIEL FEUTRE SEULEMENT)			

FACTEUR D'EFFICACITÉ

IRC	CCT	FACTEUR
80+	4000K	1.00
80+	3500K	0.98
80+	3000K	0.94
80+	2700K	0.91
90+	4000K	0.88
90+	3500K	0.85
90+	3000K	0.81
90+	2700K	0.77

DISTRIBUTION LUMINEUSE



4821I-XX



Visitez notre site Web pour les termes et conditions.



DONNÉES TECHNIQUES