

MOONRISE PLUS 74540-23

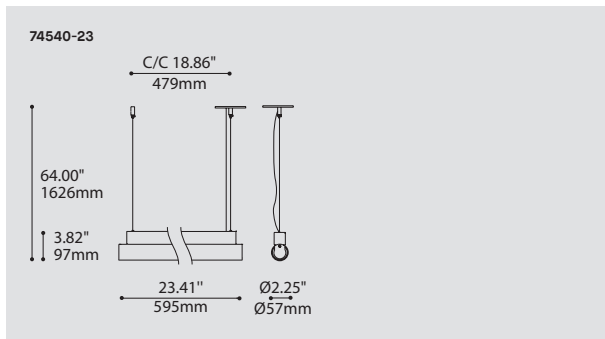
| |
|----------------|
| PROJECT PROJET |
| SPEC TYPE |
| NOTES |



FAMILY FAMILLE



3540



ORDERING SPECIFICATION SPÉCIFICATION DE COMMANDE

CODE

MODEL MODÈLE 74540-23

74540-23 MOONRISE PLUS 23* (ROUND ACRYLIC)

LIGHT SOURCE SOURCE LUMINEUSE

F.T5.14 14W, T5
F.T5.24 24W, T5 HO
LED REGULAR OUTPUT
LED.HO HIGH OUTPUT

COLOR TEMPERATURE TEMPÉRATURE DE COULEUR ^(A)

30 3000K
35 3500K
40 4000K
(A) FOR LED ONLY

VOLTAGE VOLTAGE

120V 120 VOLT
277V 277 VOLT
347V* 347 VOLT
* ONLY AVAILABLE WITH T5 (NON-DIMMING BALLAST)

DIMMING OPTION OPTION DE GRADATION

AVAILABLE WITH F.T5.14 ONLY

DM7 ADVANCE MARK 7 ELECTRONIC DIMMING BALLAST

AVAILABLE WITH ALL T5 LIGHT SOURCES

D3D LUTRON HI-LUME 3D ELECTRONIC DIMMING BALLAST (ECOSYSTEM DIGITAL LINK WIRING)
D33 LUTRON HI-LUME 3D ELECTRONIC DIMMING BALLAST (3-WIRE WIRING)

AVAILABLE WITH ALL LED LIGHT SOURCES

DV 0-10V DIMMING (120V-277V)
DP PHASE DIMMING (120V ONLY)

EMERGENCY BATTERY BATTERIE D'URGENCE

AVAILABLE WITH LED SOURCES 120-277V. EM DRIVER BOX INCLUDED, INSTALLED REMOTELY. SEE EM GUIDE FOR DETAILS. WITH DV DIMMING OPTION, AN ADDITIONAL POWER CABLE WILL DROP FROM CEILING NEXT TO MAIN CABLE.

EMB* EMERGENCY BATTERY FOR REMOTE BOX
* 3981EA ACCESSORY IS REQUIRED.

CABLE CÂBLE AC

AC AIRCRAFT MOUNTING & CLEAR CABLE, FIELD ADJUSTABLE

CABLE LENGTH LONGUEUR DE CÂBLE

60 60" AIRCRAFT CABLE (STD LENGTH)
****** CUSTOM AIRCRAFT CABLE LENGTH (PLEASE SPECIFY)
FOR OVERALL LENGTH, PLEASE CONTACT YOUR EUREKA REPRESENTATIVE

HOUSING BOITIER

CHR CHROME
S C SATIN CHROME

CANOPY FINISH FINI PAVILLON

WHE* WHITE FINE TEXTURE
* IF NO FINISH IS SELECTED, CANOPY FINISH WILL BE THE SAME AS STRUCTURE FINISH

DIFFUSER FINISH FINI DIFFUSEUR WH

WH WHITE

ACCESSORY ACCESSOIRE

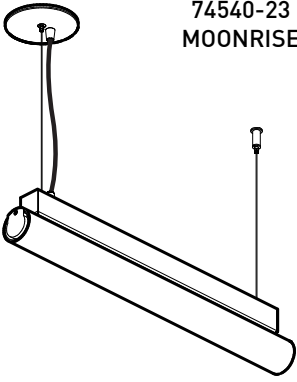
3981EA ELECTRICAL BOX FOR EMB EMERGENCY BATTERY

PRODUCT CHARACTERISTICS CARACTÉRISTIQUES DU PRODUIT

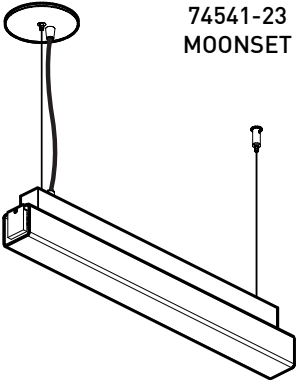
BIM **DIM** **EMB** **IES** **LED**

MOONRISE PLUS, MOONSET PLUS 7454X - 23

74540-23
MOONRISE



74541-23
MOONSET

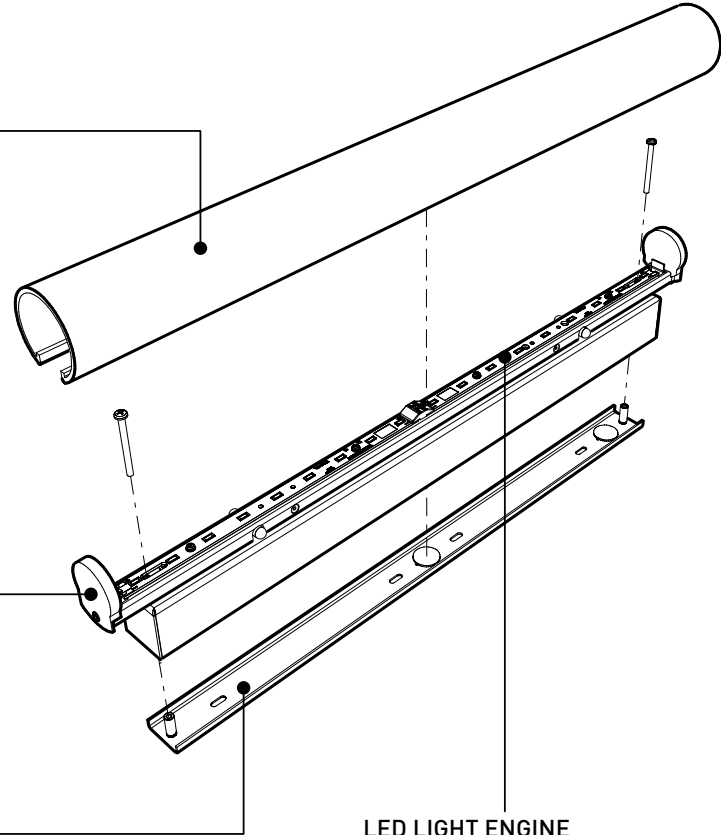


HIGH PERFORMANCE LENS
Custom blended and extruded PMMA (Acrylic composite) lens perfectly diffused with led lights source, available in round and square shape

ENDCAPS
Machined steel endcaps mechanically attached to structure with one-way security screw

EASY MOUNTING
Field adjustable cable system combined with clear power cord, providing an easy access to component wiring

LED LIGHT ENGINE
ANSI binned white LED Nichia w/ on-board thermal management



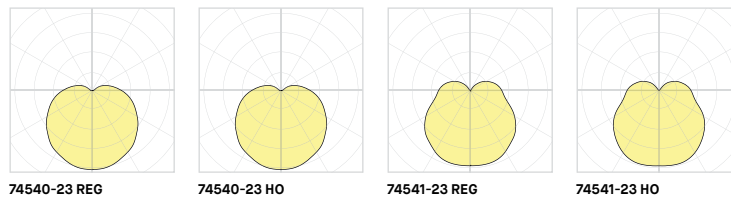
| PRODUCT SPECIFICATION | 74540-23 REG | 74540-23 HO | 74541-23 REG | 74541-23 HO |
|-----------------------|--------------|-------------|--------------|-------------|
|-----------------------|--------------|-------------|--------------|-------------|

| PERFORMANCE | | | | |
|--------------------------|--------------------|--------------------|--------------------|--------------------|
| SYSTEM WATTAGE | 10 W | 14.5 W | 10 W | 14.5W |
| DELIVERED LUMENS (4000K) | 899 LM | 1292 LM | 889 LM | 1278 LM |
| EFFICACY | 89.9 LM/W | 89.1 LM/W | 88.9 LM/W | 88.1 LM/W |
| OTHER INFORMATIONS | | | | |
| LUMINAIRE'S WEIGHT | 6.13 LBS / 2.78 KG | 6.13 LBS / 2.78 KG | 6.13 LBS / 2.78 KG | 6.13 LBS / 2.78 KG |
| L70 (LUMEN MAINTENANCE) | > 60 000 HRS | > 60 000 HRS | > 60 000 HRS | > 60 000 HRS |

EFFICACY MULTIPLIERS

| CRI | CCT | FACTOR |
|-----|-------|--------|
| 80+ | 4000K | 1.00 |
| 80+ | 3500K | 0.98 |
| 80+ | 3000K | 0.94 |
| 80+ | 2700K | 0.91 |
| 90+ | 4000K | 0.88 |
| 90+ | 3500K | 0.85 |
| 90+ | 3000K | 0.81 |
| 90+ | 2700K | 0.77 |

LIGHT DISTRIBUTION

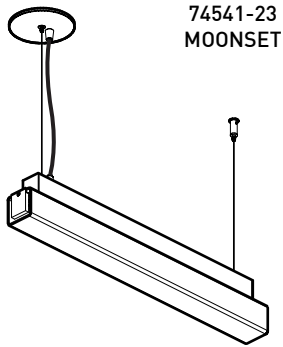
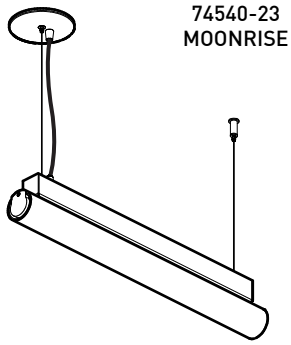


Visit our website for warranty terms and conditions.



TECHNICAL DATA

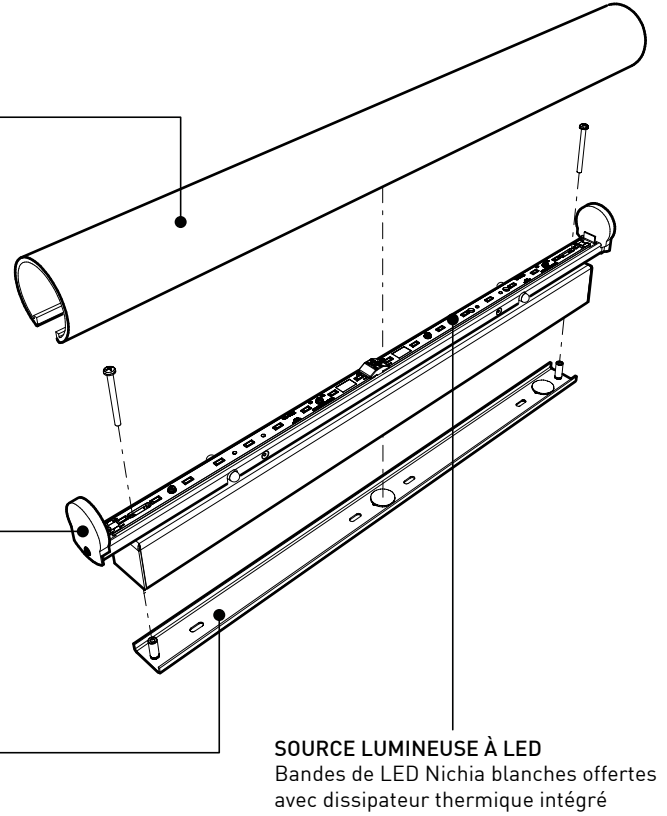
MOONRISE PLUS, MOONSET PLUS 7454X - 23



DIFFUSEUR À HAUTE PERFORMANCE
Profil acrylique de l'extrusion PMMA blanc disponible en forme ronde ou en forme carrée, parfaitement illuminé avec les sources d'éclairage à base de LED

EMBOUS
Usinés en acier attachés mécaniquement à la structure à l'aide d'une vis de sécurité

SUPPORT DE FIXATION
Suspendu avec des câbles d'acier, faciles pour la mise à niveau et ajustables sur le site



| SPÉCIFICATION PRODUIT | 74540-23 REG | 74540-23 HO | 74541-23 REG | 74541-23 HO |
|-----------------------|--------------|-------------|--------------|-------------|
|-----------------------|--------------|-------------|--------------|-------------|

PERFORMANCE

| | | | | |
|----------------------|-----------|-----------|-----------|-----------|
| PUISSANCE TOTALE | 10 W | 14.5 W | 10 W | 14.5 W |
| LUMENS RÉELS (4000K) | 899 LM | 1292 LM | 889 LM | 1278 LM |
| EFFICACITÉ | 89.9 LM/W | 89.1 LM/W | 88.9 LM/W | 88.1 LM/W |

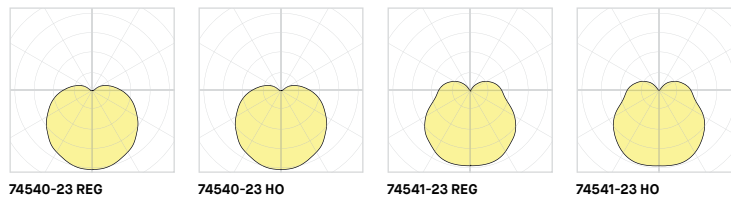
AUTRES INFORMATION

| | | | | |
|---------------------------------|--------------------|--------------------|--------------------|--------------------|
| POIDS PAR TÊTE | 6.13 LBS / 2.78 KG | 6.13 LBS / 2.78 KG | 6.13 LBS / 2.78 KG | 6.13 LBS / 2.78 KG |
| L70 (MAINTENANCE DE LA LUMIÈRE) | > 60 000 H | > 60 000 H | > 60 000 H | > 60 000 H |

FACTEUR D'EFFICACITÉ

| IRC | CCT | FACTEUR |
|-----|-------|---------|
| 80+ | 4000K | 1.00 |
| 80+ | 3500K | 0.98 |
| 80+ | 3000K | 0.94 |
| 80+ | 2700K | 0.91 |
| 90+ | 4000K | 0.88 |
| 90+ | 3500K | 0.85 |
| 90+ | 3000K | 0.81 |
| 90+ | 2700K | 0.77 |

DISTRIBUTION LUMINEUSE



Visitez notre site Web pour les termes et conditions.



DONNÉES TECHNIQUES