

MOONRISE PLUS 74540-93

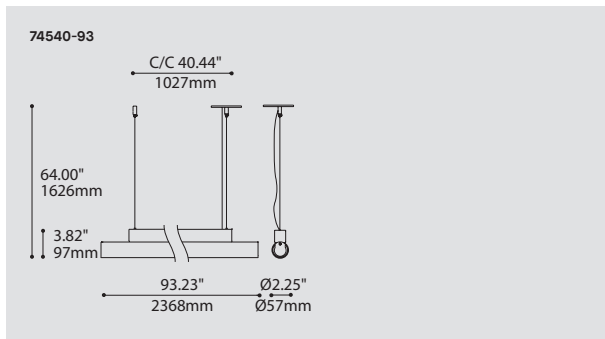
PROJECT PROJET
SPEC TYPE
NOTES



FAMILY FAMILLE



3540



ORDERING SPECIFICATION SPÉCIFICATION DE COMMANDE

CODE

MODEL MODÈLE 74540-93

74540-93 MOONRISE PLUS 93" (ROUND ACRYLIC)

LIGHT SOURCE SOURCE LUMINEUSE

2XF.T5.28 28W X2, T5

2XF.T5.54 54W X2, T5 HO

LED REGULAR OUTPUT

LED.HO HIGH OUTPUT

COLOR TEMPERATURE TEMPÉRATURE DE COULEUR ^(A)

30 3000K

35 3500K

40 4000K

^(A) FOR LED ONLY

VOLTAGE VOLTAGE

120V 120 VOLT

277V 277 VOLT

347V* 347 VOLT

* ONLY AVAILABLE WITH T5 (NON-DIMMING BALLAST)

DIMMING OPTION OPTION DE GRADATION

AVAILABLE WITH 2XF.T5.54 ONLY

DM1 ADVANCE MARK 10 ELECTRONIC DIMMING BALLAST

AVAILABLE WITH ALL T5 LIGHT SOURCES

DM7 ADVANCE MARK 7 ELECTRONIC DIMMING BALLAST

D3D LUTRON HI-LUME 3D ELECTRONIC DIMMING BALLAST (ECOSYSTEM DIGITAL LINK WIRING)

D33 LUTRON HI-LUME 3D ELECTRONIC DIMMING BALLAST (3-WIRE WIRING)

AVAILABLE WITH ALL LED LIGHT SOURCES

DV 0-10V DIMMING (120V-277V)

DP PHASE DIMMING (120V ONLY)

EMERGENCY BATTERY BATTERIE D'URGENCE

AVAILABLE WITH LED SOURCES 120-277V. EM DRIVER BOX INCLUDED, INSTALLED REMOTELY. SEE EM GUIDE FOR DETAILS. WITH DV DIMMING OPTION, AN ADDITIONAL POWER CABLE WILL DROP FROM CEILING NEXT TO MAIN CABLE.

EMB* EMERGENCY BATTERY FOR REMOTE BOX

* 3981EA ACCESSORY IS REQUIRED.

CABLE CÂBLE

AC

AC AIRCRAFT MOUNTING & CLEAR CABLE, FIELD ADJUSTABLE

CABLE LENGTH LONGUEUR DE CÂBLE

60 60" AIRCRAFT CABLE (STD LENGTH)

** CUSTOM AIRCRAFT CABLE LENGTH (PLEASE SPECIFY)

FOR OVERALL LENGTH, PLEASE CONTACT YOUR EUREKA REPRESENTATIVE

HOUSING BOITIER

CHR CHROME

SC SATIN CHROME

CANOPY FINISH FINI PAVILLON

WHE* WHITE FINE TEXTURE

* IF NO FINISH IS SELECTED, CANOPY FINISH WILL BE THE SAME AS STRUCTURE FINISH

DIFFUSER FINISH FINI DIFFUSEUR

WH

WH WHITE

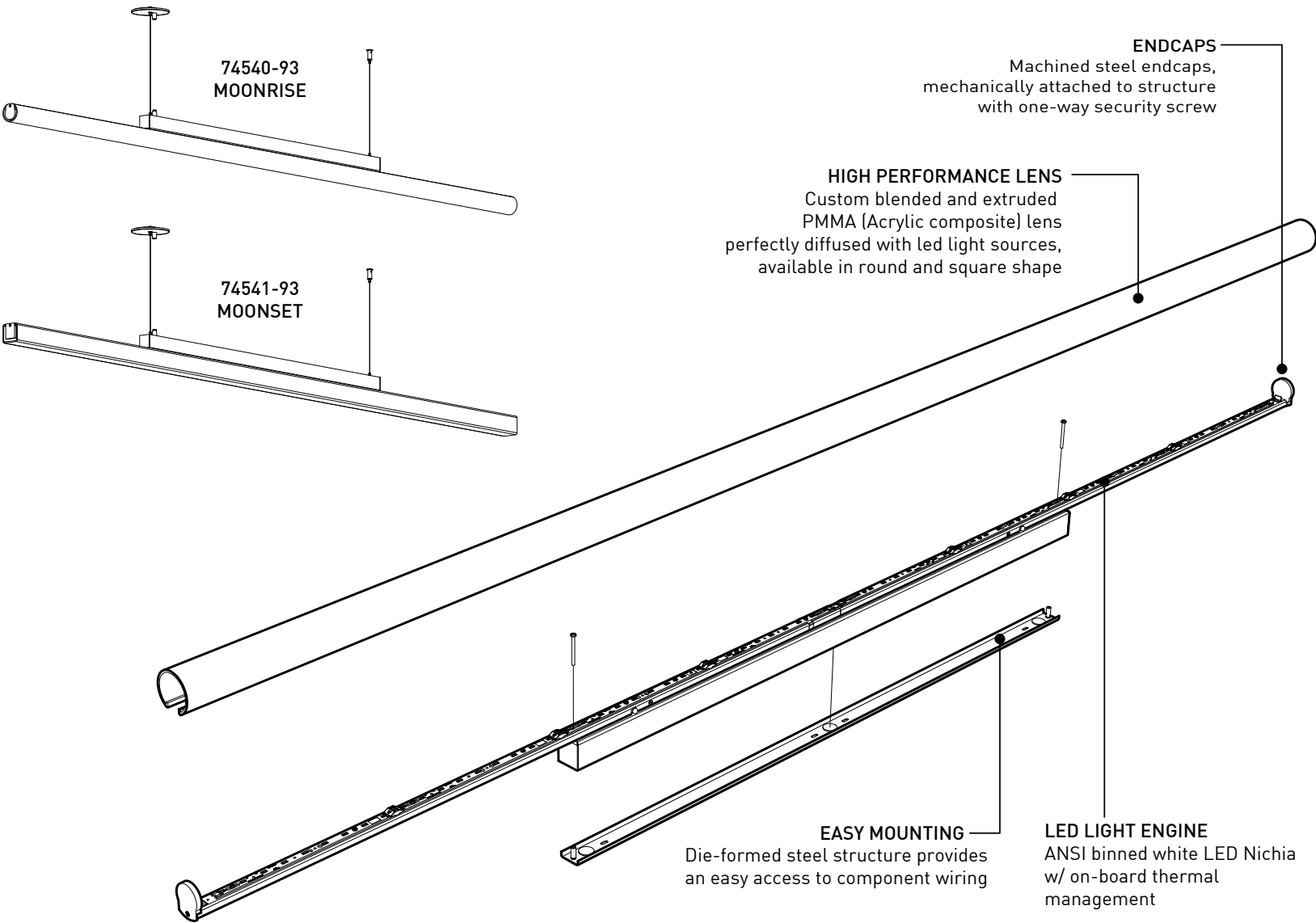
ACCESSORY ACCESSOIRE

3981EA ELECTRICAL BOX FOR EMB EMERGENCY BATTERY

PRODUCT CHARACTERISTICS CARACTÉRISTIQUES DU PRODUIT

BIM DIM EMB IES LED

MOONRISE PLUS, MOONSET PLUS 7454X - 93



PRODUCT SPECIFICATION	74540-93 REG	74540-93 HO	74541-93 REG	74541-93 HO
-----------------------	--------------	-------------	--------------	-------------

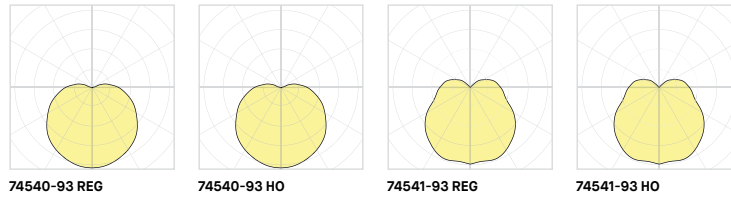
PERFORMANCE				
SYSTEM WATTAGE	34.1 W	52.8 W	34.1 W	52.8 W
DELIVERED LUMENS (4000K)	3641 LM	5233 LM	3576 LM	5141 LM
EFFICACY	106.7 LM/W	99.1 LM/W	104.9 LM/W	97.4 LM/W

OTHER INFORMATIONS				
LUMINAIRE'S WEIGHT	12.05 LBS / 5.46 KG	12.05 LBS / 5.46 KG	12.05 LBS / 5.46 KG	12.05 LBS / 5.46 KG
L70 (LUMEN MAINTENANCE)	> 60 000 HRS	> 60 000 HRS	> 60 000 HRS	> 60 000 HRS

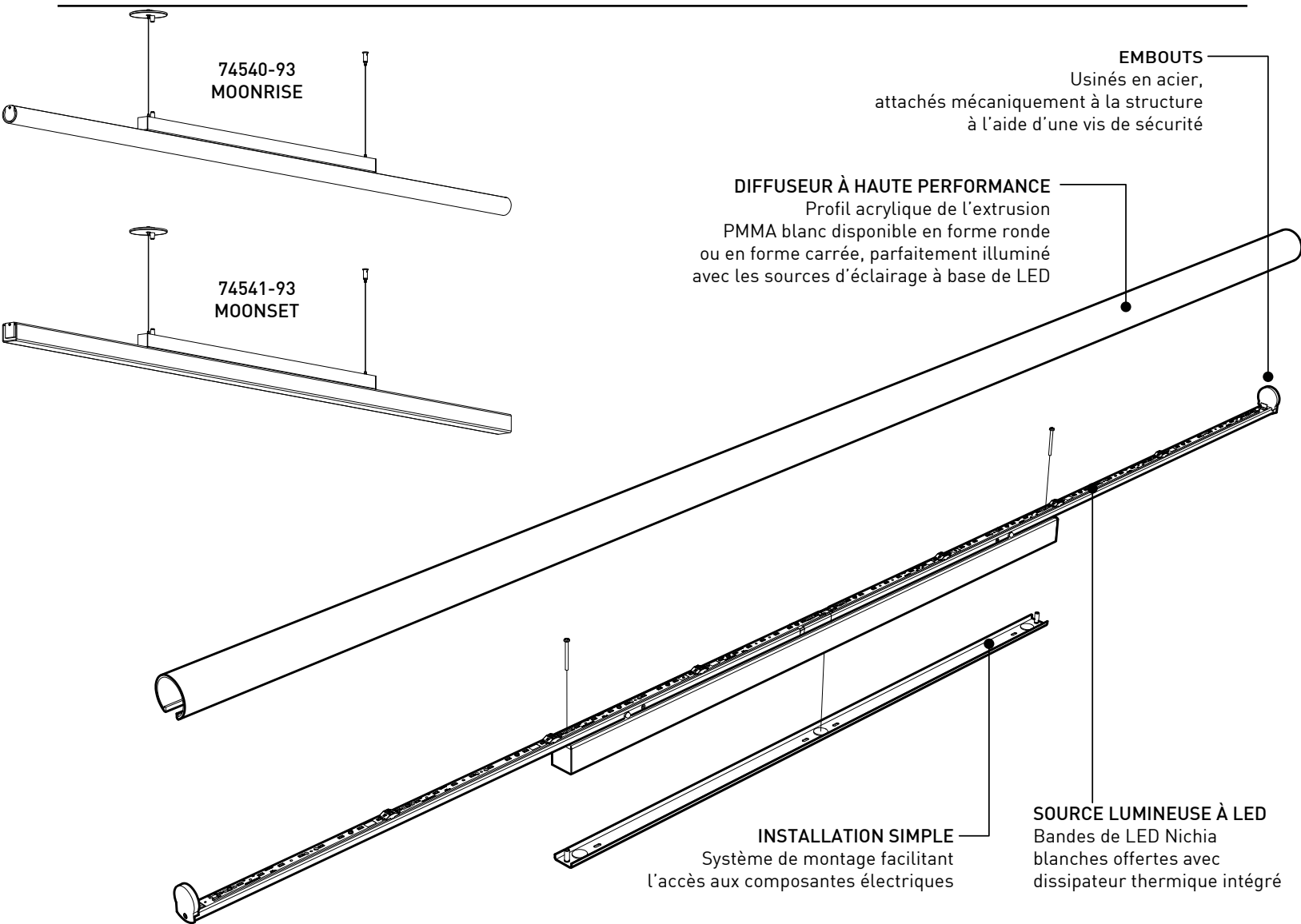
EFFICACY MULTIPLIERS

CRI	CCT	FACTOR
80+	4000K	1.00
80+	3500K	0.98
80+	3000K	0.94
80+	2700K	0.91
90+	4000K	0.88
90+	3500K	0.85
90+	3000K	0.81
90+	2700K	0.77

LIGHT DISTRIBUTION



MOONRISE PLUS, MOONSET PLUS 7454X - 93



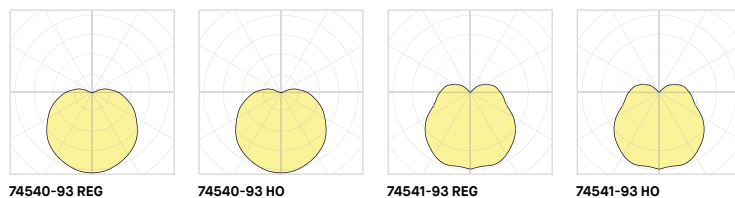
SPECIFICATION PRODUIT

	74540-93 REG	74540-93 HO	74541-93 REG	74541-93 HO
PERFORMANCE				
PUISSANCE TOTALE	34.1 W	52.8 W	34.1 W	52.8 W
LUMENS RÉELS (4000K)	3641 LM	5233 LM	3576 LM	5141 LM
EFFICACITÉ	106.7 LM/W	99.1 LM/W	104.9 LM/W	97.4 LM/W
AUTRES INFORMATIONS				
POIDS PAR TÊTE	12.05 LBS / 5.46 KG	12.05 LBS / 5.46 KG	12.05 LBS / 5.46 KG	6.13 LBS / 2.78 KG
L70 (MAINTENANCE DE LA LUMIÈRE)	60 000 H	60 000 H	60 000 H	60 000 H

FACTEUR D'EFFICACITÉ

IRC	CCT	FACTEUR
80+	4000K	1.00
80+	3500K	0.98
80+	3000K	0.94
80+	2700K	0.91
90+	4000K	0.88
90+	3500K	0.85
90+	3000K	0.81
90+	2700K	0.77

DISTRIBUTION LUMINEUSE



Visitez notre site Web pour les termes et conditions.



DONNÉES TECHNIQUES