

# MOONSET PLUS 74541-23

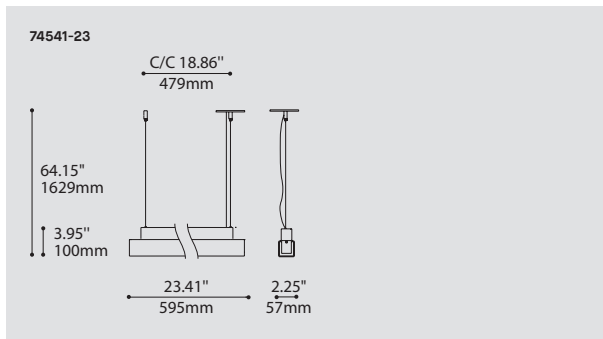
PROJECT PROJET
SPEC TYPE
NOTES



## FAMILY FAMILLE



3541



## ORDERING SPECIFICATION SPÉCIFICATION DE COMMANDE

CODE

### MODEL MODÈLE

74541-23

74541-23 MOONSET PLUS 23" (SQUARE ACRYLIC)

### LIGHT SOURCE SOURCE LUMINEUSE

F.T5.14 14W, T5  
 F.T5.24 24W, T5 HO  
 LED REGULAR OUTPUT  
 LED.HO HIGH OUTPUT

### COLOR TEMPERATURE TEMPÉRATURE DE COULEUR <sup>(A)</sup>

30 3000K  
 35 3500K  
 40 4000K  
(A) FOR LED ONLY

### VOLTAGE VOLTAGE

120V 120 VOLT  
 277V 277 VOLT  
 347V\* 347 VOLT  
\* ONLY AVAILABLE WITH T5 (NON-DIMMING BALLAST)

### DIMMING OPTION OPTION DE GRADATION

AVAILABLE WITH F.T5.14 ONLY

DM7 ADVANCE MARK 7 ELECTRONIC DIMMING BALLAST

AVAILABLE WITH ALL T5 LIGHT SOURCES

D3D LUTRON HI-LUME 3D ELECTRONIC DIMMING BALLAST (ECOSYSTEM DIGITAL LINK WIRING)  
 D33 LUTRON HI-LUME 3D ELECTRONIC DIMMING BALLAST (3-WIRE WIRING)

AVAILABLE WITH ALL LED LIGHT SOURCES

DV 0-10V DIMMING (120V-277V)  
 DP PHASE DIMMING (120V ONLY)

### EMERGENCY BATTERY BATTERIE D'URGENCE

AVAILABLE WITH LED SOURCES 120-277V. EM DRIVER BOX INCLUDED, INSTALLED REMOTELY. SEE EM GUIDE FOR DETAILS. WITH DV DIMMING OPTION, AN ADDITIONAL POWER CABLE WILL DROP FROM CEILING NEXT TO MAIN CABLE.

EMB\* EMERGENCY BATTERY FOR REMOTE BOX  
\* 3981EA ACCESSORY IS REQUIRED.

### CABLE CÂBLE

AC

AC AIRCRAFT MOUNTING & CLEAR CABLE, FIELD ADJUSTABLE

### CABLE LENGTH LONGUEUR DE CÂBLE

60 60" AIRCRAFT CABLE (STD LENGTH)  
 \*\* CUSTOM AIRCRAFT CABLE LENGTH (PLEASE SPECIFY)  
FOR OVERALL LENGTH, PLEASE CONTACT YOUR EUREKA REPRESENTATIVE

### HOUSING BOITIER

CHR CHROME  
 S C SATIN CHROME

### CANOPY FINISH FINI PAVILLON

WHE\* WHITE FINE TEXTURE  
\* IF NO FINISH IS SELECTED, CANOPY FINISH WILL BE THE SAME AS STRUCTURE FINISH

### DIFFUSER FINISH FINI DIFFUSEUR

WH

WH WHITE

### ACCESSORY ACCESSOIRE

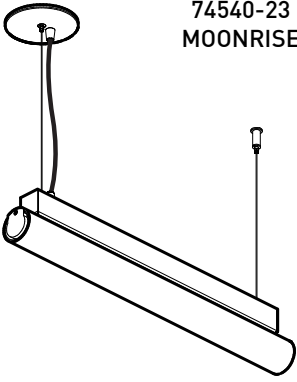
3981EA ELECTRICAL BOX FOR EMB EMERGENCY BATTERY

## PRODUCT CHARACTERISTICS CARACTÉRISTIQUES DU PRODUIT

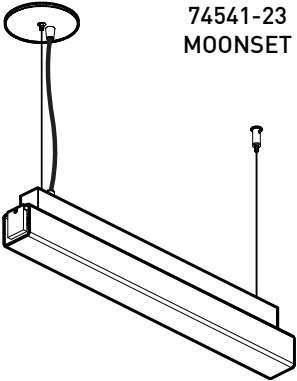
**BIM** **DIM** **EMB** **IES** **LED**

# MOONRISE PLUS, MOONSET PLUS 7454X - 23

74540-23  
MOONRISE



74541-23  
MOONSET

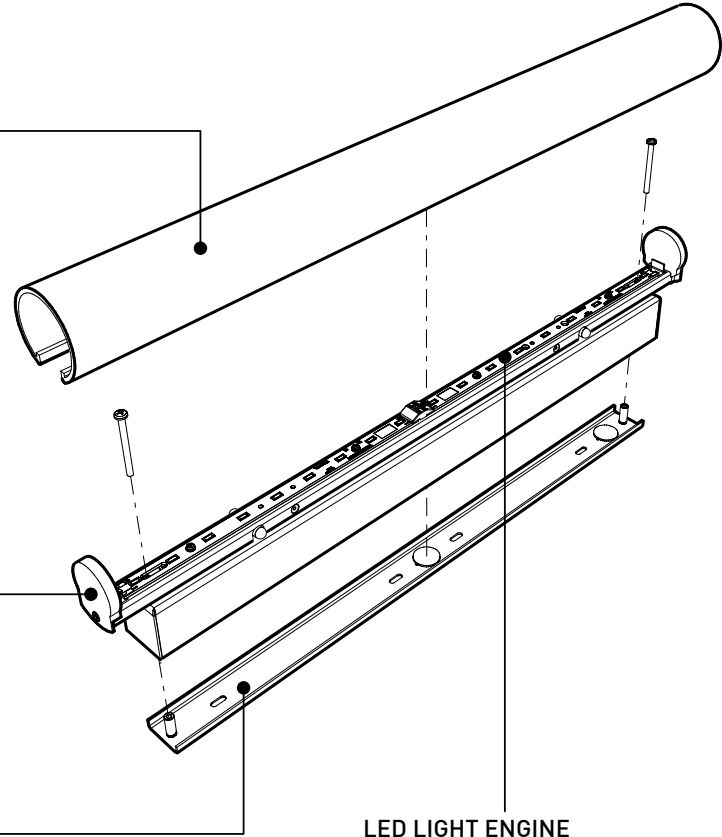


**HIGH PERFORMANCE LENS**  
Custom blended and extruded PMMA (Acrylic composite) lens perfectly diffused with led lights source, available in round and square shape

**ENDCAPS**  
Machined steel endcaps mechanically attached to structure with one-way security screw

**EASY MOUNTING**  
Field adjustable cable system combined with clear power cord, providing an easy access to component wiring

**LED LIGHT ENGINE**  
ANSI binned white LED Nichia w/ on-board thermal management



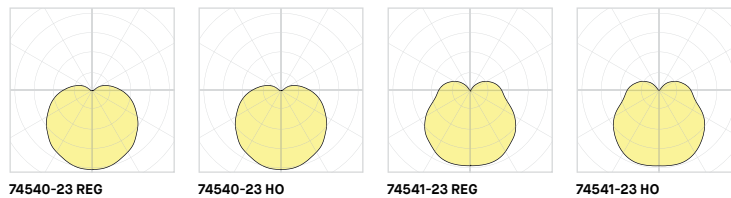
PRODUCT SPECIFICATION	74540-23 REG	74540-23 HO	74541-23 REG	74541-23 HO
-----------------------	--------------	-------------	--------------	-------------

PERFORMANCE				
SYSTEM WATTAGE	10 W	14.5 W	10 W	14.5W
DELIVERED LUMENS (4000K)	899 LM	1292 LM	889 LM	1278 LM
EFFICACY	89.9 LM/W	89.1 LM/W	88.9 LM/W	88.1 LM/W
OTHER INFORMATIONS				
LUMINAIRE'S WEIGHT	6.13 LBS / 2.78 KG	6.13 LBS / 2.78 KG	6.13 LBS / 2.78 KG	6.13 LBS / 2.78 KG
L70 (LUMEN MAINTENANCE)	> 60 000 HRS	> 60 000 HRS	> 60 000 HRS	> 60 000 HRS

**EFFICACY MULTIPLIERS**

CRI	CCT	FACTOR
80+	4000K	1.00
80+	3500K	0.98
80+	3000K	0.94
80+	2700K	0.91
90+	4000K	0.88
90+	3500K	0.85
90+	3000K	0.81
90+	2700K	0.77

**LIGHT DISTRIBUTION**

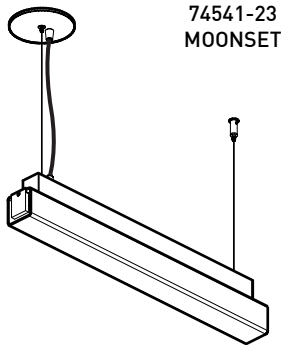
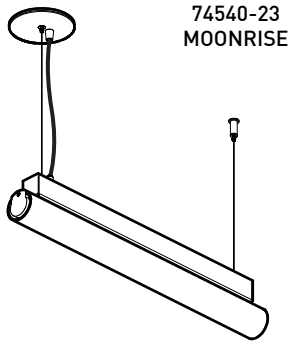


Visit our website for warranty terms and conditions.



**TECHNICAL DATA**

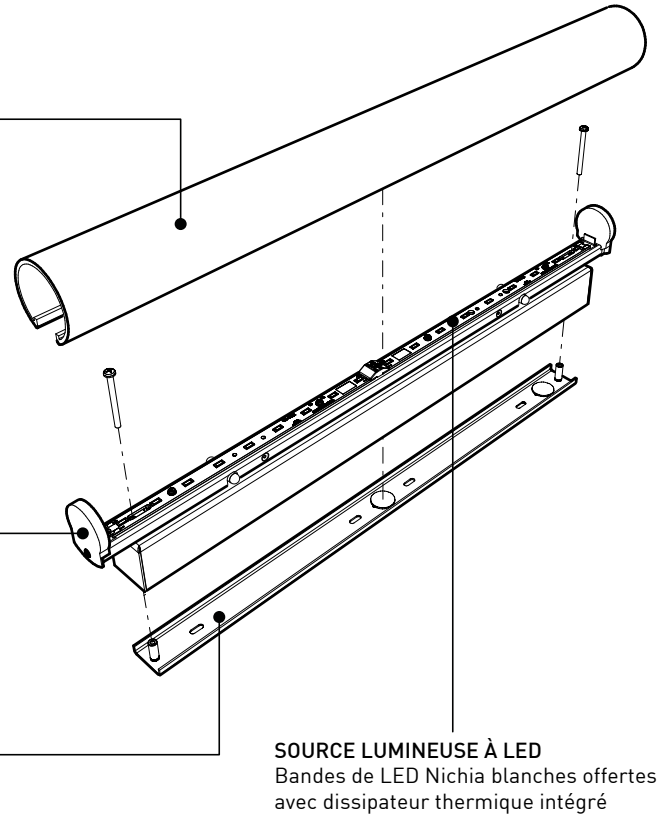
# MOONRISE PLUS, MOONSET PLUS 7454X - 23



**DIFFUSEUR À HAUTE PERFORMANCE**  
Profil acrylique de l'extrusion PMMA blanc disponible en forme ronde ou en forme carrée, parfaitement illuminé avec les sources d'éclairage à base de LED

**EMBOUS**  
Usinés en acier attachés mécaniquement à la structure à l'aide d'une vis de sécurité

**SUPPORT DE FIXATION**  
Suspendu avec des câbles d'acier, faciles pour la mise à niveau et ajustables sur le site



SPÉCIFICATION PRODUIT	74540-23 REG	74540-23 HO	74541-23 REG	74541-23 HO
-----------------------	--------------	-------------	--------------	-------------

**PERFORMANCE**

PUISSANCE TOTALE	10 W	14.5 W	10 W	14.5 W
LUMENS RÉELS (4000K)	899 LM	1292 LM	889 LM	1278 LM
EFFICACITÉ	89.9 LM/W	89.1 LM/W	88.9 LM/W	88.1 LM/W

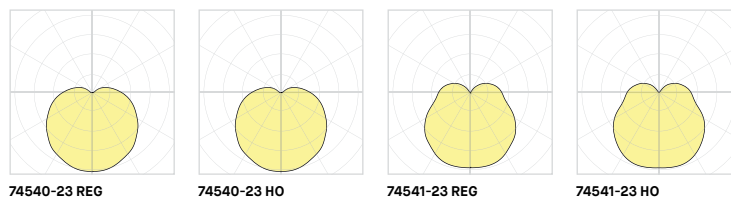
**AUTRES INFORMATION**

POIDS PAR TÊTE	6.13 LBS / 2.78 KG	6.13 LBS / 2.78 KG	6.13 LBS / 2.78 KG	6.13 LBS / 2.78 KG
L70 (MAINTENANCE DE LA LUMIÈRE)	> 60 000 H	> 60 000 H	> 60 000 H	> 60 000 H

**FACTEUR D'EFFICACITÉ**

IRC	CCT	FACTEUR
80+	4000K	1.00
80+	3500K	0.98
80+	3000K	0.94
80+	2700K	0.91
90+	4000K	0.88
90+	3500K	0.85
90+	3000K	0.81
90+	2700K	0.77

**DISTRIBUTION LUMINEUSE**



Visitez notre site Web pour les termes et conditions.



## DONNÉES TECHNIQUES