

MOONSET PLUS 74541-35

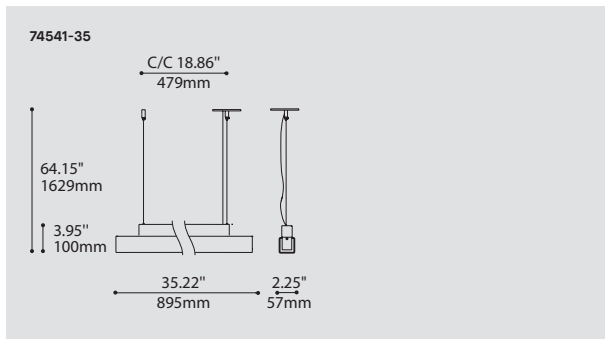
PROJECT PROJET
SPEC TYPE
NOTES



FAMILY FAMILLE



3541

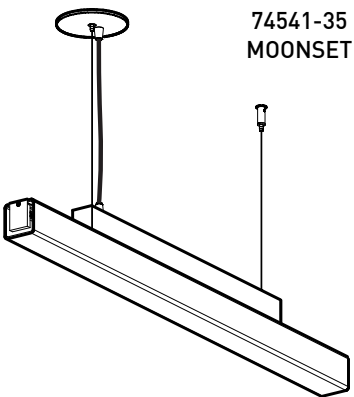
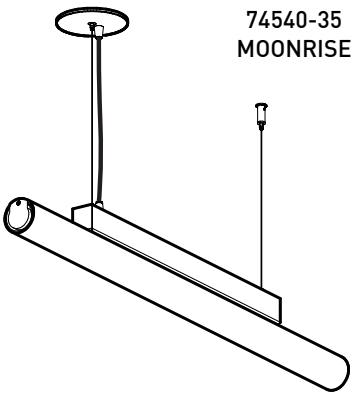


ORDERING SPECIFICATION	SPÉCIFICATION DE COMMANDE	CODE
MODEL MODÈLE		74541-35
74541-35	MOONSET PLUS 35" (SQUARE ACRYLIC)	
LIGHT SOURCE SOURCE LUMINEUSE		
F.T5.21	21W, T5	
F.T5.39	39W, T5 HO	
LED	REGULAR OUTPUT	
LED.HO	HIGH OUTPUT	
COLOR TEMPERATURE TEMPÉRATURE DE COULEUR ^(A)		
30	3000K	
35	3500K	
40	4000K	
	^(A) FOR LED ONLY	
VOLTAGE VOLTAGE		
120V	120 VOLT	
277V	277 VOLT	
347V*	347 VOLT	
	* ONLY AVAILABLE WITH T5 (NON-DIMMING BALLAST)	
DIMMING OPTION OPTION DE GRADATION		
	AVAILABLE WITH F.T5.21 ONLY	
DM7	ADVANCE MARK 7 ELECTRONIC DIMMING BALLAST	
	AVAILABLE WITH ALL T5 LIGHT SOURCES	
D3D	LUTRON HI-LUME 3D ELECTRONIC DIMMING BALLAST (ECOSYSTEM DIGITAL LINK WIRING)	
D33	LUTRON HI-LUME 3D ELECTRONIC DIMMING BALLAST (3-WIRE WIRING)	
	AVAILABLE WITH ALL LED LIGHT SOURCES	
DV	0-10V DIMMING (120V-277V)	
DP	PHASE DIMMING (120V ONLY)	
EMERGENCY BATTERY BATTERIE D'URGENCE		
	AVAILABLE WITH LED SOURCES 120-277V. EM DRIVER BOX INCLUDED, INSTALLED REMOTELY. SEE EM GUIDE FOR DETAILS. WITH DV DIMMING OPTION, AN ADDITIONAL POWER CABLE WILL DROP FROM CEILING NEXT TO MAIN CABLE.	
EMB*	EMERGENCY BATTERY FOR REMOTE BOX	
	* 3981EA ACCESSORY IS REQUIRED.	
CABLE CÂBLE		AC
AC	AIRCRAFT MOUNTING & CLEAR CABLE, FIELD ADJUSTABLE	
CABLE LENGTH LONGUEUR DE CÂBLE		
60	60" AIRCRAFT CABLE (STD LENGTH)	
**	CUSTOM AIRCRAFT CABLE LENGTH (PLEASE SPECIFY)	
	FOR OVERALL LENGTH, PLEASE CONTACT YOUR EUREKA REPRESENTATIVE	
HOUSING BOITIER		
CHR	CHROME	
S C	SATIN CHROME	
CANOPY FINISH FINI PAVILLON		
WHE*	WHITE FINE TEXTURE	
	* IF NO FINISH IS SELECTED, CANOPY FINISH WILL BE THE SAME AS STRUCTURE FINISH	
DIFFUSER FINISH FINI DIFFUSEUR		WH
WH	WHITE	
ACCESSORY ACCESSOIRE		
3981EA	ELECTRICAL BOX FOR EMB EMERGENCY BATTERY	

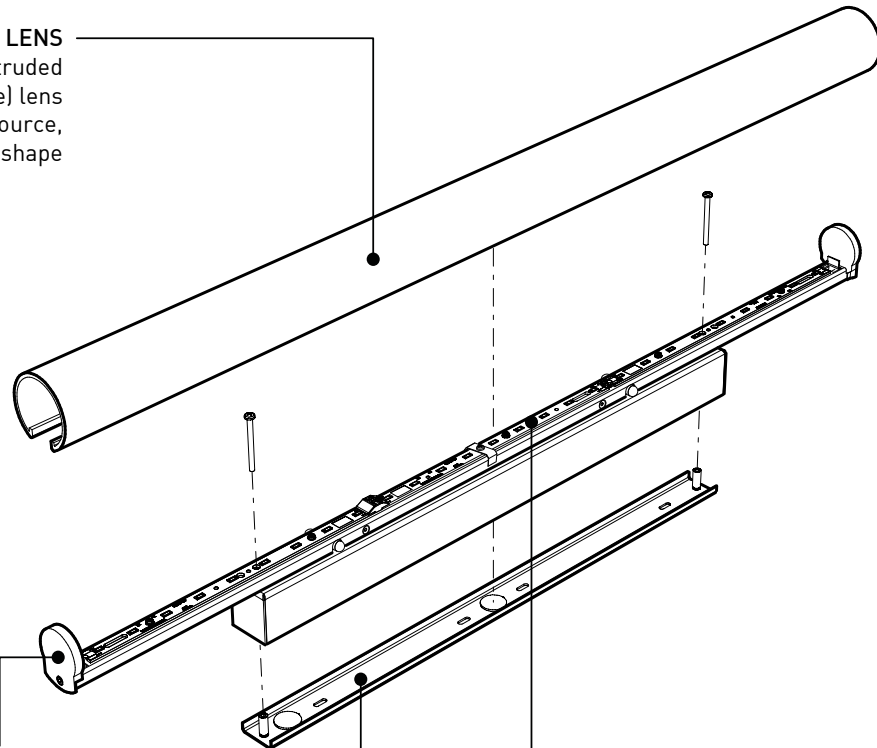
PRODUCT CHARACTERISTICS CARACTÉRISTIQUES DU PRODUIT

BIM **DIM** **EMB** **IES** **LED**

MOONRISE PLUS, MOONSET PLUS 7454X - 35



HIGH PERFORMANCE LENS
Custom blended and extruded PMMA (Acrylic composite) lens perfectly diffused with led lights source, available in round and square shape



ENDCAPS
Machined steel endcaps mechanically attached to structure with one-way security screw

EASY MOUNTING
Field adjustable cable system combined with clear power cord, providing an easy access to component wiring

LED LIGHT ENGINE
ANSI binned white LED Nichia w/ on-board thermal management

PRODUCT SPECIFICATION	74540-35 REG	74540-35 HO	74541-35 REG	74541-35 HO
-----------------------	--------------	-------------	--------------	-------------

PERFORMANCE

SYSTEM WATTAGE	13.8 W	20.9 W	13.8 W	20.4 W
DELIVERED LUMENS (4000K)	1358 LM	1952 LM	1336 LM	1920 LM
EFFICACY	98.4 LM/W	93.4 LM/W	96.8 LM/W	94.1 LM/W

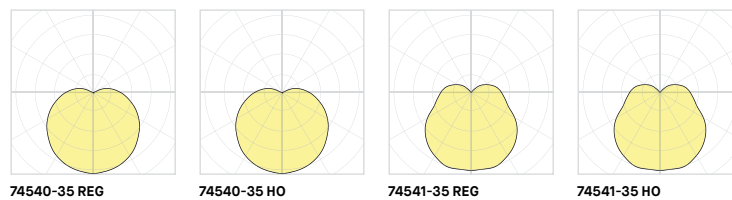
OTHER INFORMATIONS

LUMINAIRE'S WEIGHT	6.13 LBS / 2.78 KG	6.13 LBS / 2.78 KG	6.13 LBS / 2.78 KG	6.13 LBS / 2.78 KG
L70 (LUMEN MAINTENANCE)	> 60 000 HRS	> 60 000 HRS	> 60 000 HRS	> 60 000 HRS

EFFICACY MULTIPLIERS

CRI	CCT	FACTOR
80+	4000K	1.00
80+	3500K	0.98
80+	3000K	0.94
80+	2700K	0.91
90+	4000K	0.88
90+	3500K	0.85
90+	3000K	0.81
90+	2700K	0.77

LIGHT DISTRIBUTION

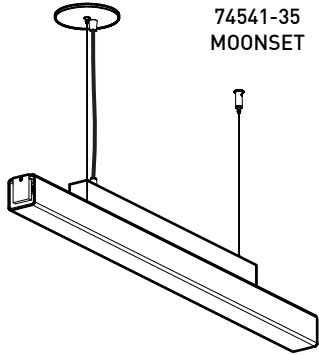
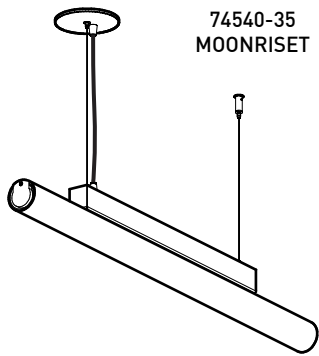


Visit our website for warranty terms and conditions.

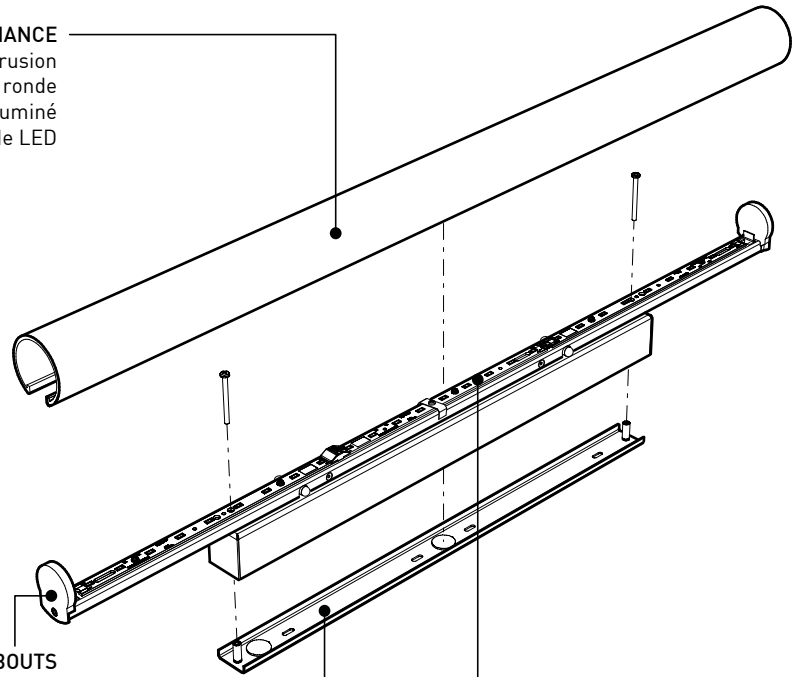


TECHNICAL DATA

MOONRISE PLUS, MOONSET PLUS 7454X - 35



DIFFUSEUR À HAUTE PERFORMANCE
Profil acrylique de l'extrusion
PMMA blanc disponible en forme ronde
ou en forme carrée, parfaitement illuminé
avec les sources d'éclairage à base de LED



EMBOUTS
Usinés en acier
attachés mécaniquement à la structure
à l'aide d'une vis de sécurité

SUPPORT DE FIXATION
Suspendu avec des câbles d'acier,
faciles pour la mise à niveau et
ajustables sur le site

SOURCE LUMINEUSE À LED
Bandes de LED Nichia blanche offertes
avec dissipateur thermique intégré

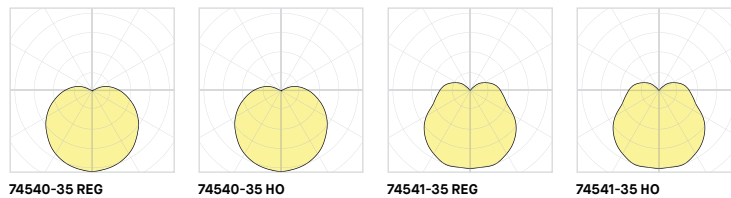
SPECIFICATION PRODUIT

	74540-35 REG	74540-35 HO	74541-35 REG	74541-35 HO
PERFORMANCE				
PUISSANCE TOTALE	13.8 W	20.9 W	13.8 W	20.4 W
LUMENS RÉELS (4000K)	1358 LM	1952 LM	1336 LM	1920 LM
EFFICACITÉ	98.4 LM/W	93.4 LM/W	96.8 LM/W	94.1 LM/W
AUTRES INFORMATIONS				
POIDS PAR TÊTE	6.13 LBS / 2.78 KG	6.13 LBS / 2.78 KG	6.13 LBS / 2.78 KG	6.13 LBS / 2.78 KG
L70 (MAINTENANCE DE LA LUMIÈRE)	> 60 000 H	> 60 000 H	> 60 000 H	> 60 000 H

FACTEUR D'EFFICACITÉ

IRC	CCT	FACTEUR
80+	4000K	1.00
80+	3500K	0.98
80+	3000K	0.94
80+	2700K	0.91
90+	4000K	0.88
90+	3500K	0.85
90+	3000K	0.81
90+	2700K	0.77

DISTRIBUTION LUMINEUSE



Visitez notre site Web pour les termes et conditions.



DONNÉES TECHNIQUES