

MOONSET PLUS 74541-47

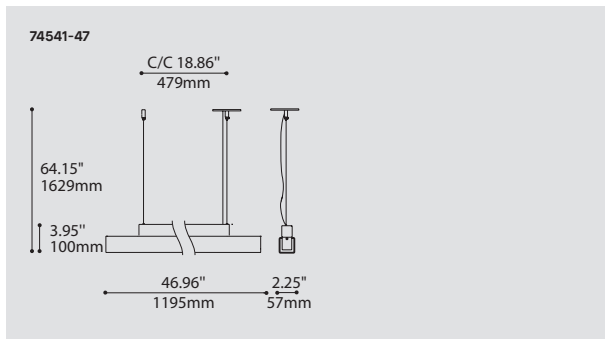
PROJECT PROJÉT
SPEC TYPE
NOTES



FAMILY FAMILLE



3541



ORDERING SPECIFICATION SPÉCIFICATION DE COMMANDE

CODE

MODEL MODÈLE 74541-47

74541-47 MOONSET PLUS 47* (SQUARE ACRYLIC)

LIGHT SOURCE SOURCE LUMINEUSE

F.T5.28 28W, T5
 F.T5.54 54W, T5 HO
 LED REGULAR OUTPUT
 LED.HO* HIGH OUTPUT
* NOT AVAILABLE WITH PHASE DIMMING

COLOR TEMPERATURE TEMPÉRATURE DE COULEUR ^(A)

30 3000K
 35 3500K
 40 4000K
(A) FOR LED ONLY

VOLTAGE VOLTAGE

120V 120 VOLT
 277V 277 VOLT
 347V* 347 VOLT
* ONLY AVAILABLE WITH T5 (NON-DIMMING BALLAST)

DIMMING OPTION OPTION DE GRADATION

AVAILABLE WITH F.T5.54 ONLY

DM1 ADVANCE MARK 10 ELECTRONIC DIMMING BALLAST

AVAILABLE WITH ALL T5 LIGHT SOURCES

DM7 ADVANCE MARK 7 ELECTRONIC DIMMING BALLAST

D3D LUTRON HI-LUME 3D ELECTRONIC DIMMING BALLAST (ECOSYSTEM DIGITAL LINK WIRING)

D33 LUTRON HI-LUME 3D ELECTRONIC DIMMING BALLAST (3-WIRE WIRING)

AVAILABLE WITH ALL LED LIGHT SOURCES

DV 0-10V DIMMING (120V-277V)

DP* PHASE DIMMING (120V ONLY)

* NOT AVAILABLE WITH 74540-47 LED HO

EMERGENCY BATTERY BATTERIE D'URGENCE

AVAILABLE WITH LED SOURCES 120-277V. EM DRIVER BOX INCLUDED, INSTALLED REMOTELY. SEE EM GUIDE FOR DETAILS. WITH DV DIMMING OPTION, AN ADDITIONAL POWER CABLE WILL DROP FROM CEILING NEXT TO MAIN CABLE.

EMB* EMERGENCY BATTERY FOR REMOTE BOX

* 3981EA ACCESSORY IS REQUIRED.

CABLE CÂBLE AC

AC AIRCRAFT MOUNTING & CLEAR CABLE, FIELD ADJUSTABLE

CABLE LENGTH LONGUEUR DE CÂBLE

60 60" AIRCRAFT CABLE (STD LENGTH)
 ** CUSTOM AIRCRAFT CABLE LENGTH (PLEASE SPECIFY)
FOR OVERALL LENGTH, PLEASE CONTACT YOUR EUREKA REPRESENTATIVE

HOUSING BOITIER

CHR CHROME
 SC SATIN CHROME

CANOPY FINISH FINI PAVILLON

WHE* WHITE FINE TEXTURE
* IF NO FINISH IS SELECTED, CANOPY FINISH WILL BE THE SAME AS STRUCTURE FINISH

DIFFUSER FINISH FINI DIFFUSEUR WH

WH WHITE

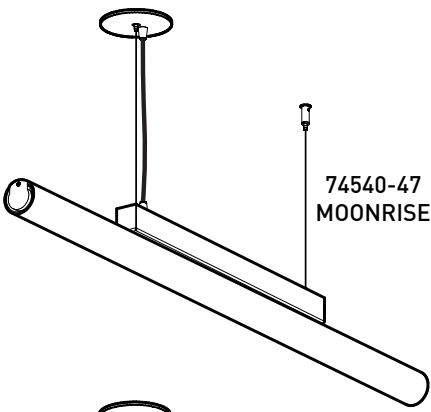
ACCESSORY ACCESSOIRE

3981EA ELECTRICAL BOX FOR EMB EMERGENCY BATTERY

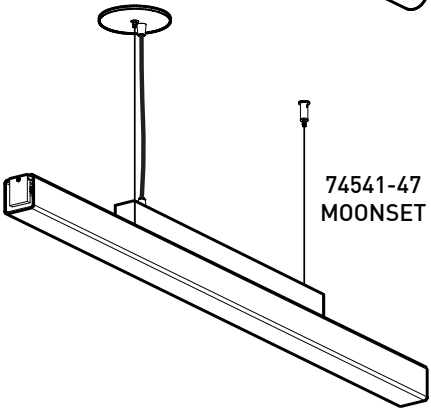
PRODUCT CHARACTERISTICS CARACTÉRISTIQUES DU PRODUIT

BIM DIM EMB IES LED

MOONRISE PLUS, MOONSET PLUS 7454X - 47

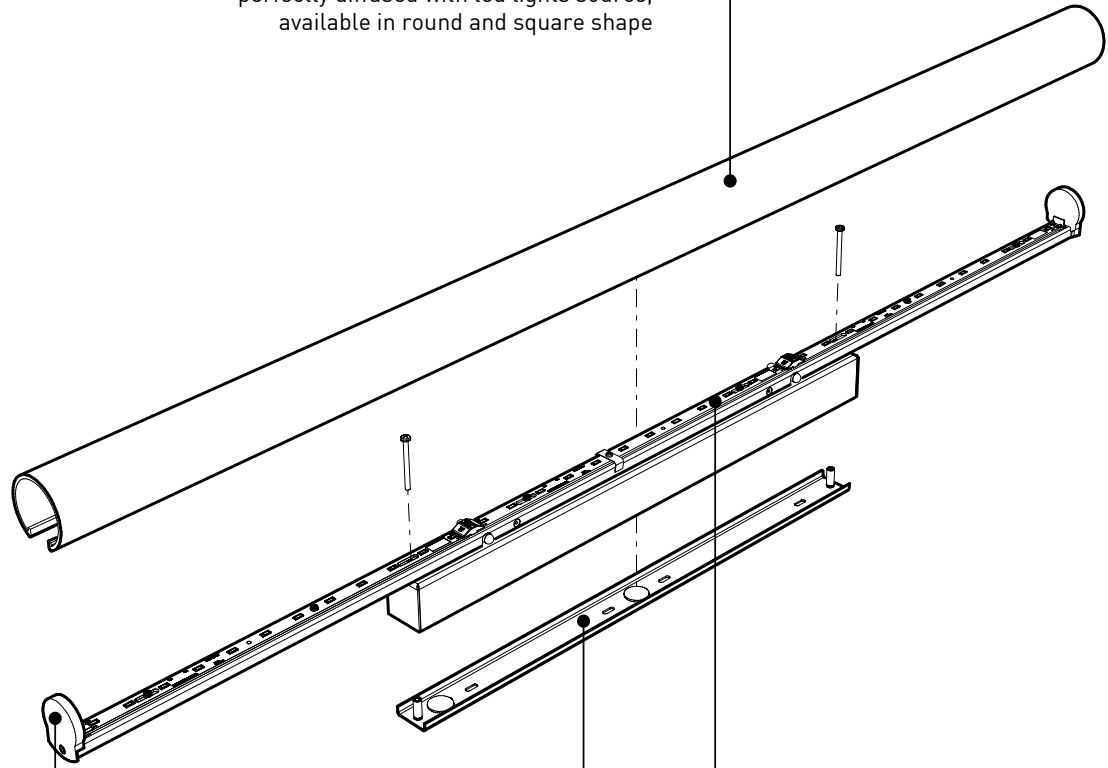


74540-47
MOONRISE



74541-47
MOONSET

HIGH PERFORMANCE LENS
Custom blended and extruded PMMA (Acrylic composite) lens perfectly diffused with led lights source, available in round and square shape



ENDCAPS

Machined steel endcaps mechanically attached to structure with one-way security screw

EASY MOUNTING

Field adjustable cable system combined with clear power cord, providing an easy access to component wiring

LED LIGHT ENGINE

ANSI binned white LED Nichia w/ on-board thermal management

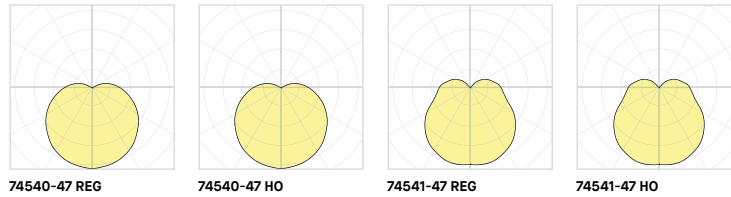
PRODUCT SPECIFICATION

	74540-47 REG	74540-47 HO	74541-47 REG	74541-47 HO
PERFORMANCE				
SYSTEM WATTAGE	17.2 W	26.1 W	17.2 W	26.1 W
DELIVERED LUMENS (4000K)	1706 LM	2452 LM	1677 LM	2410 LM
EFFICACY	99.1 LM/W	93.9 LM/W	97.5 LM/W	92.3 LM/W
OTHER INFORMATIONS				
LUMINAIRE'S WEIGHT	7.59 LBS / 3.4 KG	7.59 LBS / 3.4 KG	7.59 LBS / 3.4 KG	7.59 LBS / 3.4 KG
L70 (LUMEN MAINTENANCE)	> 60 000 HRS	> 60 000 HRS	> 60 000 HRS	> 60 000 HRS

EFFICACY MULTIPLIERS

CRI	CCT	FACTOR
80+	4000K	1.00
80+	3500K	0.98
80+	3000K	0.94
80+	2700K	0.91
90+	4000K	0.88
90+	3500K	0.85
90+	3000K	0.81
90+	2700K	0.77

LIGHT DISTRIBUTION

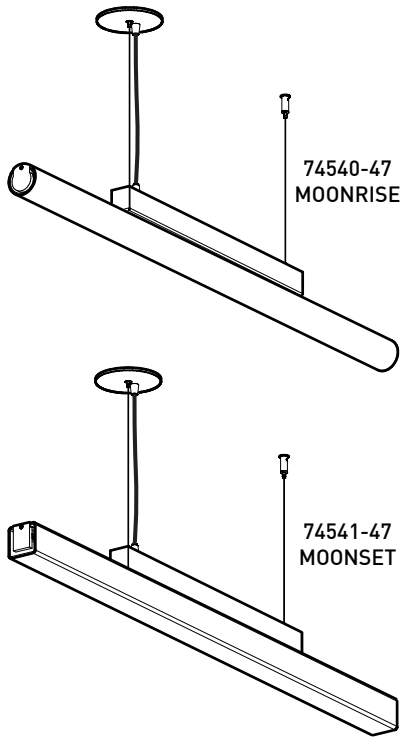


Visit our website for warranty terms and conditions.

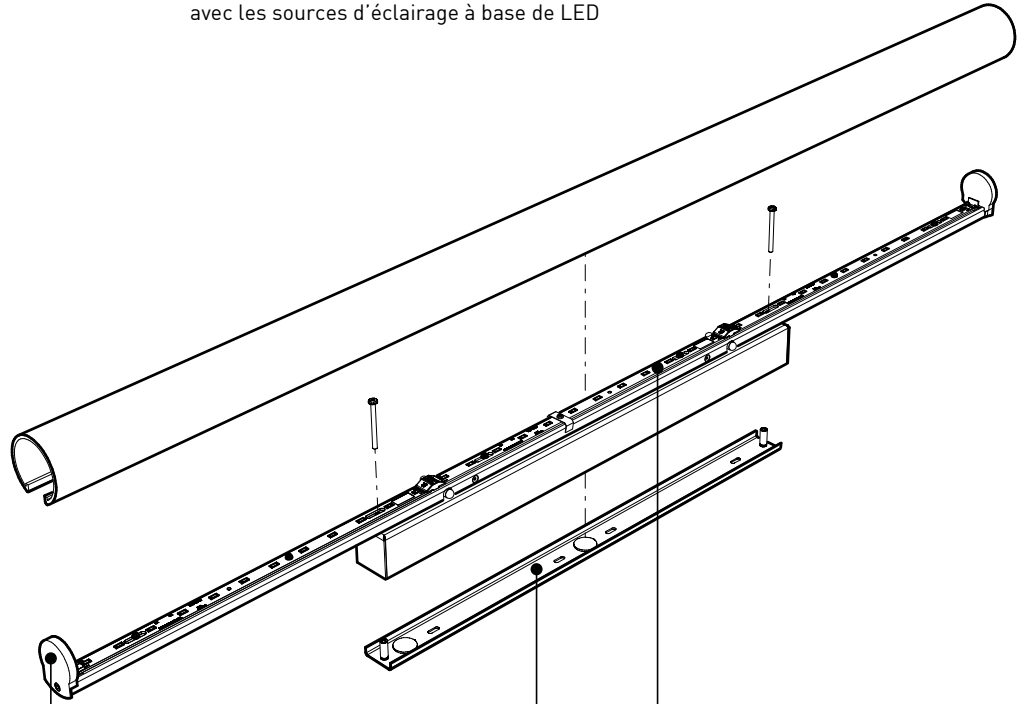


TECHNICAL DATA

MOONRISE PLUS, MOONSET PLUS 7454X - 47



DIFFUSEUR À HAUTE PERFORMANCE
 Profil acrylique de l'extrusion
 PMMA blanc disponible en forme ronde
 ou forme carrée, parfaitement illuminé
 avec les sources d'éclairage à base de LED



EMBOUS
 Usinés en acier
 attachés mécaniquement à la structure
 à l'aide d'une vis de sécurité

SUPPORT DE FIXATION
 Suspensé avec des câbles d'acier,
 faciles pour la mise à niveau et
 ajustables sur le site

SOURCE LUMINEUSE À LED
 Bandes de LED Nichia blanches offertes
 avec dissipateur thermique intégré

SPÉCIFICATION PRODUIT	74540-47 REG	74540-47 HO	74541-47 REG	74541-47 HO
-----------------------	--------------	-------------	--------------	-------------

PERFORMANCE

PUISSANCE TOTALE	17.2 W	26.1 W	17.2 W	26.1 W
LUMENS RÉELS (4000K)	1706 LM	2452 LM	1677 LM	2410 LM
EFFICACITÉ	99.1 LM/W	93.9 LM/W	97.5 LM/W	92.3 LM/W

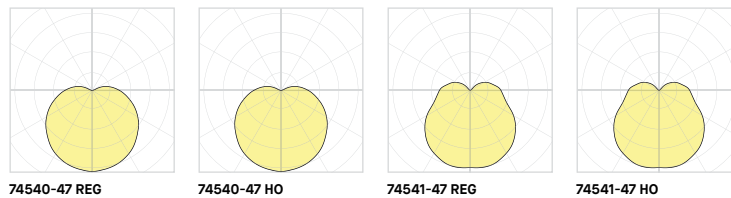
AUTRES INFORMATIONS

POIDS PAR TÊTE	7.59 LBS / 3.4 KG	7.59 LBS / 3.4 KG	7.59 LBS / 3.4 KG	7.59 LBS / 3.4 KG
L70 (MAINTENANCE DE LA LUMIÈRE)	> 60 000 H	> 60 000 H	> 60 000 H	> 60 000 H

FACTEUR D'EFFICACITÉ

IRC	CCT	FACTEUR
80+	4000K	1.00
80+	3500K	0.98
80+	3000K	0.94
80+	2700K	0.91
90+	4000K	0.88
90+	3500K	0.85
90+	3000K	0.81
90+	2700K	0.77

DISTRIBUTION LUMINEUSE



Visitez notre site Web pour les termes et conditions.



DONNÉES TECHNIQUES