

# MOONSET PLUS 74541-93

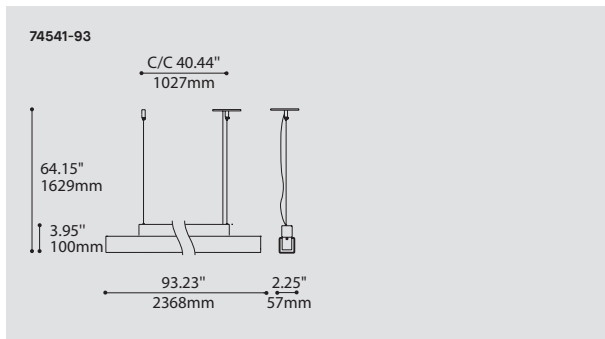
PROJECT PROJET
SPEC TYPE
NOTES



## FAMILY FAMILLE



3541



## ORDERING SPECIFICATION SPÉCIFICATION DE COMMANDE

CODE

MODEL MODÈLE 74541-93

74541-93 MOONSET PLUS 93" (SQUARE ACRYLIC)

LIGHT SOURCE SOURCE LUMINEUSE

2XF.T5.28 28W X2, T5

2XF.T5.54 54W X2, T5 HO

LED REGULAR OUTPUT

LED.HO HIGH OUTPUT

COLOR TEMPERATURE TEMPÉRATURE DE COULEUR <sup>(A)</sup>

30 3000K

35 3500K

40 4000K

<sup>(A)</sup> FOR LED ONLY

VOLTAGE VOLTAGE

120V 120 VOLT

277V 277 VOLT

347V\* 347 VOLT

\* ONLY AVAILABLE WITH T5 (NON-DIMMING BALLAST)

DIMMING OPTION OPTION DE GRADATION

AVAILABLE WITH 2XF.T5.54 ONLY

DM1 ADVANCE MARK 10 ELECTRONIC DIMMING BALLAST

AVAILABLE WITH ALL T5 LIGHT SOURCES

DM7 ADVANCE MARK 7 ELECTRONIC DIMMING BALLAST

D3D LUTRON HI-LUME 3D ELECTRONIC DIMMING BALLAST (ECOSYSTEM DIGITAL LINK WIRING)

D33 LUTRON HI-LUME 3D ELECTRONIC DIMMING BALLAST (3-WIRE WIRING)

AVAILABLE WITH ALL LED LIGHT SOURCES

DV 0-10V DIMMING (120V-277V)

DP PHASE DIMMING (120V ONLY)

EMERGENCY BATTERY BATTERIE D'URGENCE

AVAILABLE WITH LED SOURCES 120-277V. EM DRIVER BOX INCLUDED, INSTALLED REMOTELY. SEE EM GUIDE FOR DETAILS. WITH DV DIMMING OPTION, AN ADDITIONAL POWER CABLE WILL DROP FROM CEILING NEXT TO MAIN CABLE.

EMB\* EMERGENCY BATTERY FOR REMOTE BOX

\* 3981EA ACCESSORY IS REQUIRED.

CABLE CÂBLE

AC

AC AIRCRAFT MOUNTING & CLEAR CABLE, FIELD ADJUSTABLE

CABLE LENGTH LONGUEUR DE CÂBLE

60 60" AIRCRAFT CABLE (STD LENGTH)

\*\* CUSTOM AIRCRAFT CABLE LENGTH (PLEASE SPECIFY)

FOR OVERALL LENGTH, PLEASE CONTACT YOUR EUREKA REPRESENTATIVE

HOUSING BOITIER

CHR CHROME

SC SATIN CHROME

CANOPY FINISH FINI PAVILLON

WHE\* WHITE FINE TEXTURE

\* IF NO FINISH IS SELECTED, CANOPY FINISH WILL BE THE SAME AS STRUCTURE FINISH

DIFFUSER FINISH FINI DIFFUSEUR

WH

WH WHITE

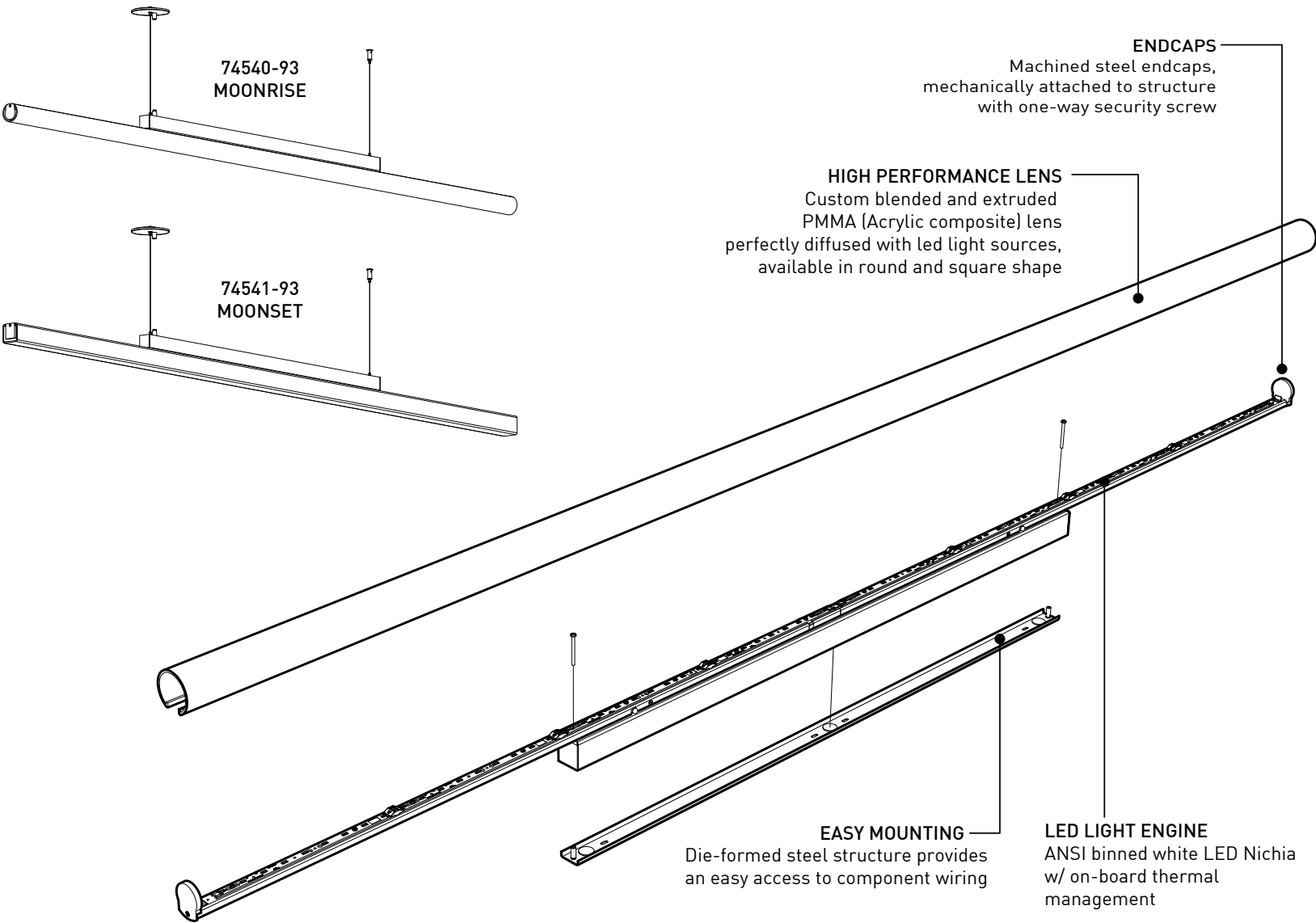
ACCESSORY ACCESSOIRE

3981EA ELECTRICAL BOX FOR EMB EMERGENCY BATTERY

## PRODUCT CHARACTERISTICS CARACTÉRISTIQUES DU PRODUIT

BIM DIM EMB IES LED

# MOONRISE PLUS, MOONSET PLUS 7454X - 93

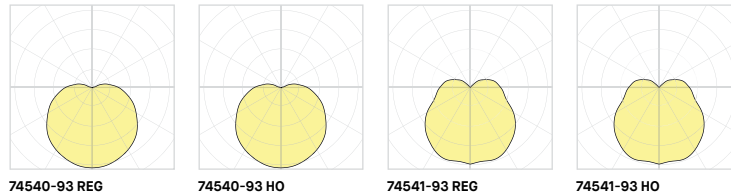


PRODUCT SPECIFICATION	74540-93 REG	74540-93 HO	74541-93 REG	74541-93 HO
<b>PERFORMANCE</b>				
SYSTEM WATTAGE	34.1 W	52.8 W	34.1 W	52.8 W
DELIVERED LUMENS (4000K)	3641 LM	5233 LM	3576 LM	5141 LM
EFFICACY	106.7 LM/W	99.1 LM/W	104.9 LM/W	97.4 LM/W
<b>OTHER INFORMATIONS</b>				
LUMINAIRE'S WEIGHT	12.05 LBS / 5.46 KG	12.05 LBS / 5.46 KG	12.05 LBS / 5.46 KG	12.05 LBS / 5.46 KG
L70 (LUMEN MAINTENANCE)	> 60 000 HRS	> 60 000 HRS	> 60 000 HRS	> 60 000 HRS

## EFFICACY MULTIPLIERS

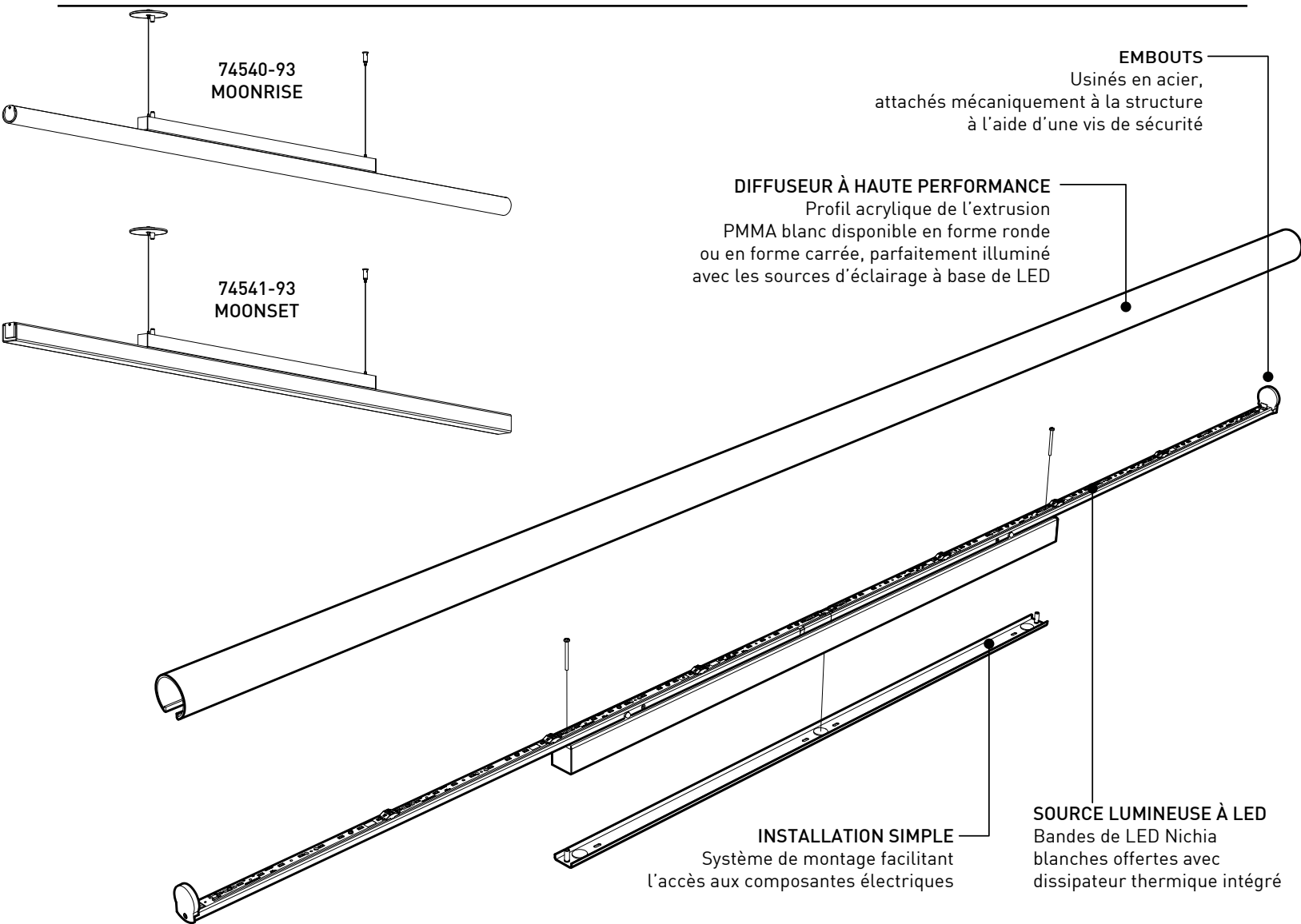
CRI	CCT	FACTOR
80+	4000K	1.00
80+	3500K	0.98
80+	3000K	0.94
80+	2700K	0.91
90+	4000K	0.88
90+	3500K	0.85
90+	3000K	0.81
90+	2700K	0.77

## LIGHT DISTRIBUTION



## TECHNICAL DATA

# MOONRISE PLUS, MOONSET PLUS 7454X - 93



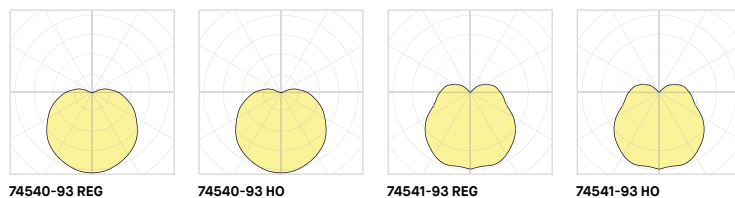
## SPECIFICATION PRODUIT

	74540-93 REG	74540-93 HO	74541-93 REG	74541-93 HO
<b>PERFORMANCE</b>				
PUISSANCE TOTALE	34.1 W	52.8 W	34.1 W	52.8 W
LUMENS RÉELS (4000K)	3641 LM	5233 LM	3576 LM	5141 LM
EFFICACITÉ	106.7 LM/W	99.1 LM/W	104.9 LM/W	97.4 LM/W
<b>AUTRES INFORMATIONS</b>				
POIDS PAR TÊTE	12.05 LBS / 5.46 KG	12.05 LBS / 5.46 KG	12.05 LBS / 5.46 KG	6.13 LBS / 2.78 KG
L70 (MAINTENANCE DE LA LUMIÈRE)	60 000 H	60 000 H	60 000 H	60 000 H

## FACTEUR D'EFFICACITÉ

IRC	CCT	FACTEUR
80+	4000K	1.00
80+	3500K	0.98
80+	3000K	0.94
80+	2700K	0.91
90+	4000K	0.88
90+	3500K	0.85
90+	3000K	0.81
90+	2700K	0.77

## DISTRIBUTION LUMINEUSE



Visitez notre site Web pour les termes et conditions.



## DONNÉES TECHNIQUES