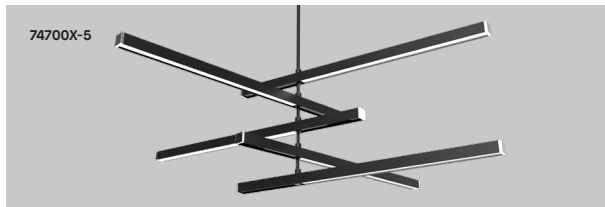
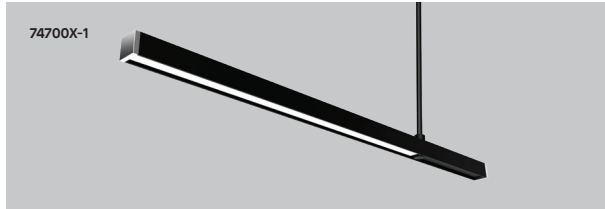
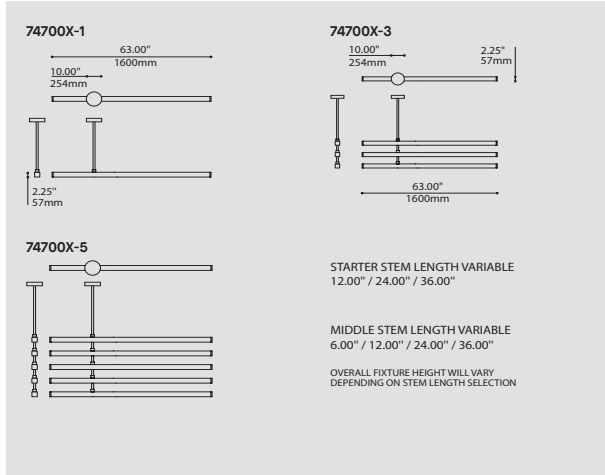


SWITCH 74700X

PROJECT PROJÉT
SPEC TYPE
NOTES



DETAIL



ORDERING SPECIFICATION SPÉCIFICATION DE COMMANDE

CODE

MODEL MODÈLE

74700D SWITCH – DIRECT
74700I SWITCH – INDIRECT

ARM QUANTITY QUANTITÉ DE BRAS

1 1 ARM
2 2 ARMS
3 3 ARMS
4 4 ARMS
5 5 ARMS

LIGHT SOURCE SOURCE LUMINEUSE

LED REGULAR OUTPUT

LED

COLOR TEMPERATURE TEMPÉRATURE DE COULEUR

27* 2700K
30 3000K
35 3500K
40 4000K

* LONGER LEAD TIME MAY APPLY, PLEASE CONTACT YOUR EUREKA REPRESENTATIVE

COLOR RENDERING INDEX (CRI) INDICE DE RENDU DE COULEUR (IRC)

80 80+ CRI
90* 90+ CRI

* LONGER LEAD TIME MAY APPLY, PLEASE CONTACT YOUR EUREKA REPRESENTATIVE

VOLTAGE VOLTAGE

120V 120 VOLT
277V 277 VOLT

DIMMING OPTION OPTION DE GRADATION

DV 0-10V DIMMING (120V-277V)
DP PHASE DIMMING (120V ONLY)

LED DIMMING DRIVER IS STANDARD IN THIS PRODUCT, PLEASE SPECIFY YOUR DIMMING TYPE

STEM TIGE

S7 27/32", (21MM) STEM, NOT FIELD ADJUSTABLE

* FOR WHITE HEAD FINISH: WHITE CABLE, FOR OTHER HEAD FINISH: BLACK CABLE

S7

STARTER STEM LENGTH LONGUEUR DE TIGE DU DÉBUT

12 12" STEM
24 24" STEM
36 36" STEM

FOR OVERALL LENGTH, PLEASE CONTACT YOUR EUREKA REPRESENTATIVE

MIDDLE STEM LENGTH LONGUEUR DE TIGE DU MILIEU^(A)

6 6" STEM
12 12" STEM
24 24" STEM
36 36" STEM

^(A) ALL MIDDLE STEMS WILL BE THE SAME LENGTH

STRUCTURE FINISH FINI STRUCTURE

BLK BLACK
WH WHITE

END CAP FINISH FINI EMBOUT

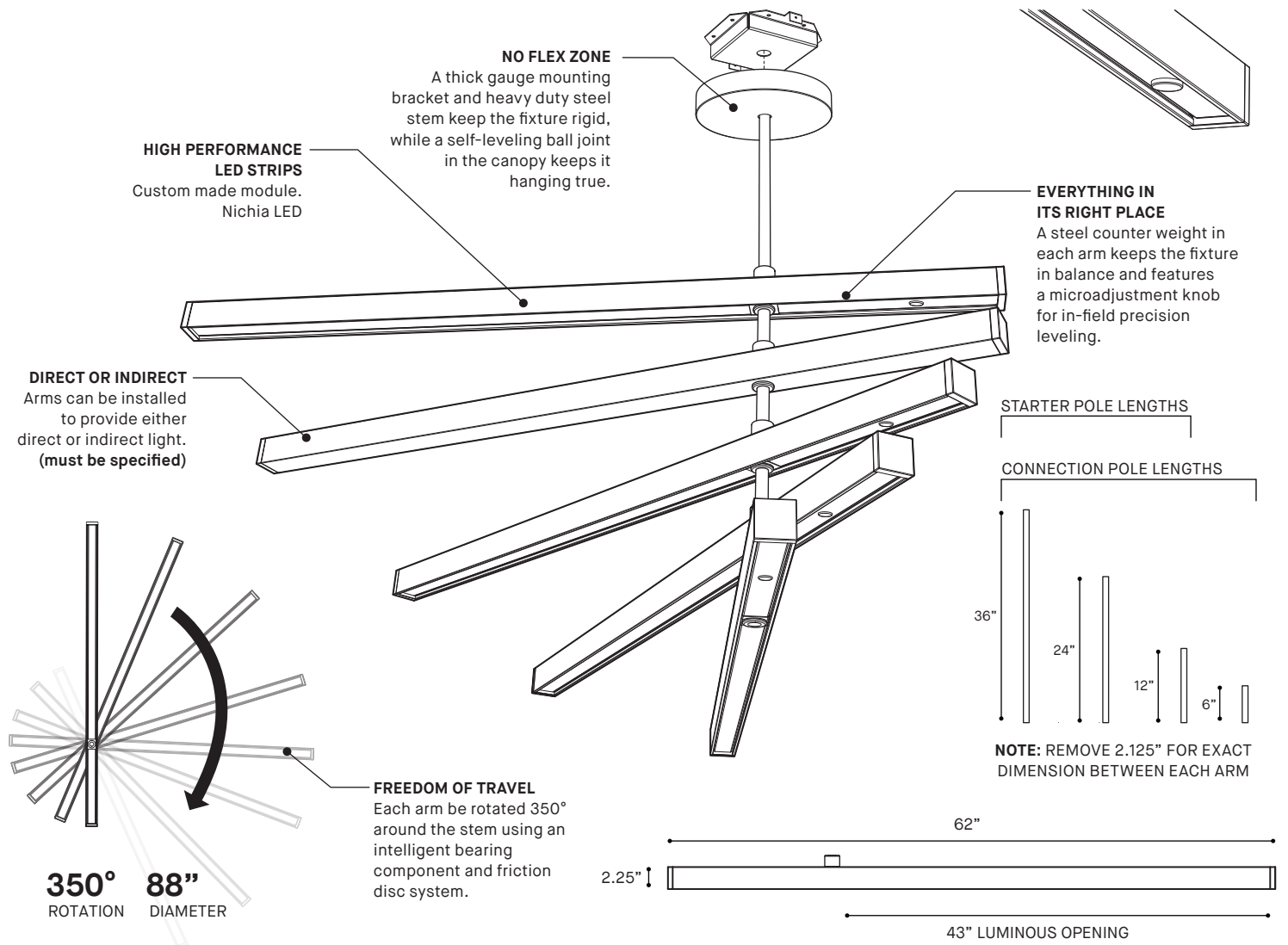
CHR CHROME
BLK BLACK
WH WHITE

PRODUCT CHARACTERISTICS CARACTÉRISTIQUES DU PRODUIT



- DESIGN:** Functionally luxurious, this expandable luminaire system marries a minimal aesthetic with elegant technology to provide a highly versatile and unique lighting experience.
- INSTALLATION:** Arm quantity and stem lengths can be specified to create fixtures as big as required, with the individual arms installed to provide direct or indirect light. Each arm has its own precision balance control, and an intelligent bearing component that facilitates 350° arm rotation.
- LIGHT SOURCE:** Each arm conceals a custom designed LED module.
- STRUCTURE:** The precision aluminum body, heavy gauge mounting bracket and thick-walled steel stem is powder coated white or black.
- DIFFUSER:** Recessed back from the opening aperture, the extruded high performance lens seems to float in the housing. Using custom blended PMMA and an added holographic diffuser film, Switch offers efficient yet fully diffused surface illumination.
- CERTIFIED:** c-CSA-us

SWITCH 74700X



PRODUCT SPECIFICATION **74700D** **74700I**

PERFORMANCE

SYSTEM WATTAGE	20.8W	20.8W
DELIVERED LUMENS (4000K)	1841 LM	1841M
EFFICACY	88LM/W	88LM/W

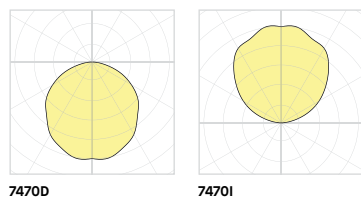
OTHER INFORMATION

LUMINAIRE'S WEIGHT	ON REQUEST	ON REQUEST
--------------------	------------	------------

EFFICACY MULTIPLIERS

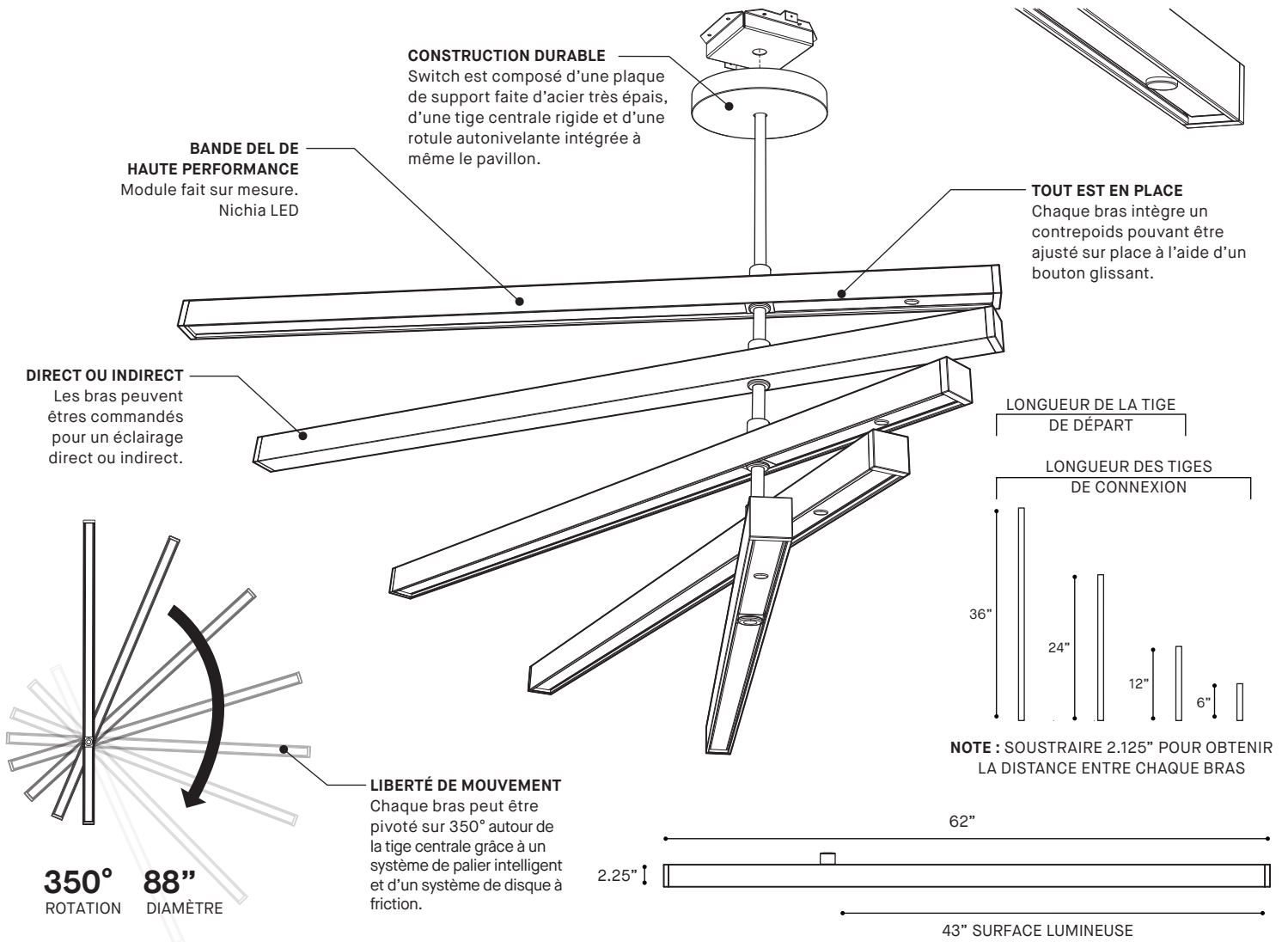
CRI	CCT	FACTOR
80+	4000K	1.00
80+	3500K	0.98
80+	3000K	0.94
80+	2700K	0.91
90+	4000K	0.88
90+	3500K	0.85
90+	3000K	0.81
90+	2700K	0.77

LIGHT DISTRIBUTION



Visit our website for warranty terms and conditions.

SWITCH 74700X



SPÉCIFICATION PRODUIT

74700D

74700-I

PERFORMANCE

PUISSANCE TOTALE	20.8W	20.8W
LUMENS RÉELS (4000K)	1841 LM	1841M
EFFICACITÉ	88LM/W	88LM/W

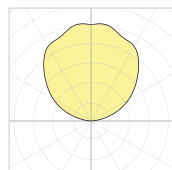
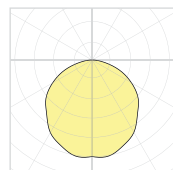
AUTRES INFORMATION

POIDS DU LUMINAIRE	SUR DEMANDE	SUR DEMANDE
--------------------	-------------	-------------

FACTEUR D'EFFICACITÉ

IRC	CCT	FACTEUR
80+	4000K	1.00
80+	3500K	0.98
80+	3000K	0.94
80+	2700K	0.91
90+	4000K	0.88
90+	3500K	0.85
90+	3000K	0.81
90+	2700K	0.77

DISTRIBUTION LUMINEUSE



Visitez notre site Web pour les termes et conditions.