

# ATOLL - 4850

PROJECT PROJÉT
SPEC TYPE
NOTES



## FINISH FINI



BLKE WHE

## FAMILY FAMILLE

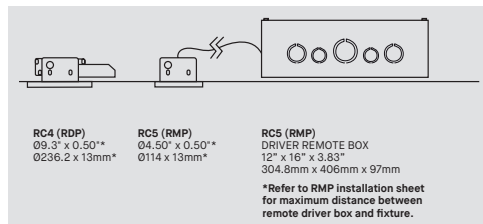
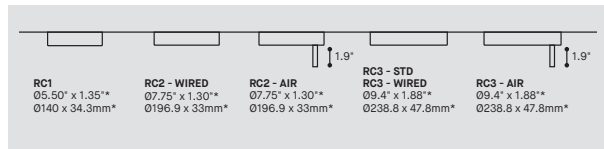


WALL 3850 CEILING 3850 PENDANT 4850



WALL ACOUSTIC 3851 CEILING ACOUSTIC 3851 PENDANT ACOUSTIC 4851

## MOUNTING OPTION OPTION DE MONTAGE



## ORDERING SPECIFICATION SPÉCIFICATION DE COMMANDE

CODE

### MODEL MODÈLE

4850-24	ATOLL PENDANT 24"
4850-36	ATOLL PENDANT 36"
4850-48	ATOLL PENDANT 48"
4850-60	ATOLL PENDANT 60"
4850-72	ATOLL PENDANT 72"
4850-90	ATOLL PENDANT 90" (3 SECTIONS)
4850-120	ATOLL PENDANT 120" (4 SECTIONS)

### LIGHT SOURCE DIRECTION DIRECTION DE LA SOURCE LUMINEUSE

D	DIRECT
DI*	DIRECT & INDIRECT (DUAL DIMMING) *DOWNLIGHT AND UPLIGHT ARE DIMMED INDEPENDENTLY - EXCEPT WITH NLIGHT CONTROLS

### DIRECT LIGHT SOURCE SOURCE LUMINEUSE DIRECTE

LED	REGULAR OUTPUT
LED.HO	HIGH OUTPUT

### INDIRECT LIGHT SOURCE SOURCE LUMINEUSE INDIRECTE

LED	REGULAR OUTPUT
LED.HO	HIGH OUTPUT

### COLOR TEMPERATURE TEMPÉRATURE DE COULEUR

27	2700K
30	3000K
35	3500K
40*	4000K *LONGER LEAD TIME MAY APPLY. PLEASE CONTACT YOUR EUREKA REPRESENTATIVE

### COLOR RENDERING INDEX (CRI) INDICE DE RENDU DE COULEUR (IRC)

90

90 90+ CRI

### VOLTAGE VOLTAGE

120V	120 VOLT
277V	277 VOLT

### CONTROL OPTION OPTION DE CONTRÔLE

DV	0-10V DIMMING (120V-277V)
DP	PHASE DIMMING (120V ONLY)
NLTAIR2*	NLIGHT AIR CONTROL GEN 2
NLIGHT*	NLIGHT WIRED CONTROL  *CONSULT CANOPY AVAILABILITY CHART AT THE END OF DOC. TO KNOW COMPATIBILITY OF MOUNTING OPTION *NLIGHT INTEGRATION WITH RCS (RMP) REQUIRES THE USAGE OF A REMOTE POWER PACK *ONLY NLIGHT WIRED IS COMPATIBLE WITH RMP (REMOTE DRIVER BOX) AND EMERGENCY BATTERY. LONGER LEAD TIME MAY APPLY. PLEASE CONTACT YOUR EUREKA REPRESENTATIVE REFER TO NLIGHT GUIDE AND INSTALLATION SHEET FOR ALL REQUIREMENTS

### EMERGENCY BATTERY BATTERIE D'URGENCE

EM DRIVER BOX INCLUDED. INSTALLED REMOTELY. SEE EM GUIDE FOR DETAILS

EMB*	EMERGENCY BATTERY FOR REMOTE BOX *3981EA ACCESSORY IS REQUIRED
------	---

### DRIVER POSITION POSITION DU PILOTE

RDP	RECESSED DRIVER (3981C) ONLY AVAILABLE FOR 4850-24/36/48/60-D-REG AND 4850-24-D-HO
RMP	REMOTE DRIVER (3981GC)

### CABLE CÂBLE

AC

AC AIRCRAFT MOUNTING AND BLACK OR WHITE CABLE, FIELD ADJUSTABLE

### CABLE LENGTH LONGUEUR DE CÂBLE

60	60" AIRCRAFT CABLE (STD LENGTH)
**	CUSTOM AIRCRAFT CABLE LENGTH (PLEASE SPECIFY) FOR OVERALL LENGTH, PLEASE CONTACT YOUR EUREKA REPRESENTATIVE

### MOUNTING OPTION OPTION DE MONTAGE

CONSULT CANOPY AVAILABILITY CHART AT THE END OF DOC. TO KNOW COMPATIBILITY OF MOUNTING OPTION

RC1	SCREWLESS CANOPY 05.50" X 1.35" (2473F)
RC2	NLIGHT SCREWLESS CANOPY 07.75" X 1.30" (2474H)
RC3	STANDARD & NLIGHT SCREWLESS CANOPY 09.4" X 1.88" (2475I)
RC4*	RECESSED DRIVER OPTION SCREWLESS 06.35" X 0.25" (2475C)
RC5**	REMOTE DRIVER OPTION SCREWLESS 06.14" X 0.08" CANOPY (2471C) *REQUIRES ACCESSORY 3981C **REQUIRES ACCESSORY 3981GC

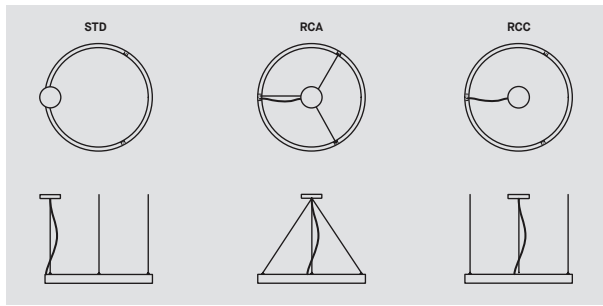
### MOUNTING CABLE OPTION OPTION DE MONTAGE DE CÂBLE

RCA*	CENTERED ROUND CANOPY - AIRCRAFT CABLES ANGLED TO CENTER
RCC	CENTERED ROUND CANOPY - STRAIGHT AIRCRAFT CABLES *NOT AVAILABLE FOR SECTIONAL RINGS (090° & 0120°) IF NO OPTION IS SELECTED, AN OFF-CENTERED ROUND CANOPY WITH STRAIGHT AIRCRAFT CABLES IS STANDARD

### CANOPY FINISH FINI PAVILLON

BLKE	BLACK FINE TEXTURE
WHE	WHITE FINE TEXTURE
RAL*	PLEASE SPECIFY RAL CODE *LONGER LEAD TIME MAY APPLY. PLEASE CONTACT YOUR EUREKA REPRESENTATIVE

**MOUNTING CABLE OPTION OPTION DE MONTAGE DE CÂBLE**



**ORDERING SPECIFICATION SPÉCIFICATION DE COMMANDE**

**CODE**

POWER CORD FINISH FINI CÂBLE D'ALIMENTATION		
BLK	BLACK POWER CORD	
WH	WHITE POWER CORD	
RING FINISH FINI ANNEAU		
BLKE	BLACK FINE TEXTURE	
WHE	WHITE FINE TEXTURE	
RAL*	PLEASE SPECIFY RAL CODE	
*LONGER LEAD TIME MAY APPLY, PLEASE CONTACT YOUR EUREKA REPRESENTATIVE		
ACCESSORY ACCESSOIRE		
3981C	JUNCTION BOX FOR RECESSED DRIVER BOX - 2.88" X 3.5" X 6"	
3981GC	DRIVER BOX FOR REMOTE INSTALLATION - 3.83" X 12" X 16"	
39NLAA	NLIGHT AIR GEN 2 REMOTE CONTROLLER	
39NLWA	NLIGHT WIRED REMOTE CONTROLLER	
ACCESSORY EMERGENCY BATTERY ACCESSOIRE BATTERIE D'URGENCE		
3981EA	ELECTRICAL BOX FOR EMB EMERGENCY BATTERY	

**PRODUCT CHARACTERISTICS CARACTÉRISTIQUES DU PRODUIT**



<b>DESIGN:</b>	Atoll is a high-performance ring fixture producing an evenly distributed luminous glow, both directly and indirectly. It comes in 7 different sizes and offers a range of mounting options. The fixture's angled knife-edge diffuser adds a contemporary touch, allowing it to effortlessly fill spaces with simplicity and elegance.
<b>INSTALLATION:</b>	Whether wall or ceiling mounted, Atoll has a simple 3 points mounting system (6 points for 4850-90 and 8 points for 4850-120.)
<b>LIGHT SOURCE:</b>	Custom designed and manufactured light engine featuring high performance discreet LEDs. Tuneable white and emergency option available.
<b>CONSTRUCTION:</b>	Seamlessly finished, rolled aluminium extrusion profile paired with high efficiency reflectors and a flexible silicone diffuser. Architectural grade matte polyester powder coating outer finish available in white and black.
<b>CONCEPTION:</b>	Atoll est un luminaire circulaire haute performance qui produit une illumination directe/indirecte uniforme. Disponible en 7 tailles différentes avec une variété d'options de montage, il est doté d'un diffuseur biseauté qui apporte une touche contemporaine et lui permet de remplir les espaces avec simplicité et élégance.
<b>INSTALLATION:</b>	Que ce soit en suspension ou en surface, Atoll dispose d'un système de montage simple à 3 points (6 points de montage pour 4850-90 et 8 points de montage pour 4850-120.)
<b>SOURCE LUMINEUSE:</b>	Module conçu et fabriqué sur mesure avec des DEL discrets de haute performance. Blanc dynamique ou batterie d'urgence disponible.
<b>BASE:</b>	Profilé en aluminium extrudé et roulé sans ligne de joint visible, accompagné de réflecteurs à haute efficacité et d'un diffuseur flexible en silicone. Finition extérieure par revêtement de polyester mat de grade architectural disponible en blanc et noir.

# ATOLL - 4850 - TUNABLE WHITE

PROJECT PROJÉT
SPEC TYPE
NOTES



## FINISH FINI



BLKE

WHE

## FAMILY FAMILLE



WALL 3850

CEILING 3850

PENDANT 4850

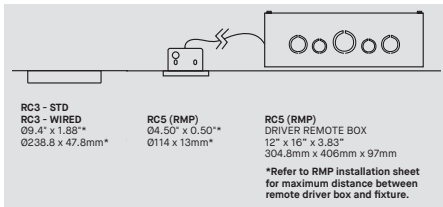


WALL ACOUSTIC 3851

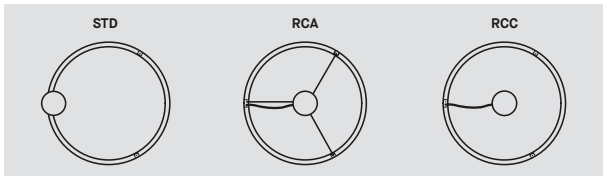
CEILING ACOUSTIC 3851

PENDANT ACOUSTIC 4851

## MOUNTING OPTION OPTION DE MONTAGE



## MOUNTING CABLE OPTION OPTION DE MONTAGE DE CÂBLE



ORDERING SPECIFICATION	SPÉCIFICATION DE COMMANDE	CODE
<b>MODEL MODÈLE</b>		
4850-24	ATOLL PENDANT 24"	
4850-36	ATOLL PENDANT 36"	
4850-48	ATOLL PENDANT 48"	
4850-60	ATOLL PENDANT 60"	
4850-72	ATOLL PENDANT 72"	
4850-90	ATOLL PENDANT 90" (3 SECTIONS)	
4850-120	ATOLL PENDANT 120" (4 SECTIONS)	
<b>LIGHT SOURCE DIRECTION DIRECTION DE LA SOURCE LUMINEUSE</b>		
D	DIRECT	
DI*	DIRECT & INDIRECT (DUAL DIMMING) *DOWNLIGHT AND UPLIGHT ARE DIMMED INDEPENDENTLY - EXCEPT WITH NLIGHT CONTROLS	
<b>DIRECT LIGHT SOURCE SOURCE LUMINEUSE DIRECTE</b>		
LED	REGULAR OUTPUT	
LED.HO*	HIGH OUTPUT *CONSULT CANOPY AVAILABILITY CHART AT THE END OF DOC. TO SEE EXCEPTIONS	
<b>INDIRECT LIGHT SOURCE SOURCE LUMINEUSE INDIRECTE</b>		
LED	REGULAR OUTPUT	
LED.HO*	HIGH OUTPUT HIGH OUTPUT *CONSULT CANOPY AVAILABILITY CHART AT THE END OF DOC. TO SEE EXCEPTIONS	
<b>COLOR TEMPERATURE TEMPÉRATURE DE COULEUR</b>		<b>TW</b>
TW*	TUNABLE WHITE (2700K TO 5000K) *LONGER LEAD TIME MAY APPLY, PLEASE CONTACT YOUR EUREKA REPRESENTATIVE	
<b>COLOR RENDERING INDEX (CRI) INDICE DE RENDU DE COULEUR (IRC)</b>		<b>80</b>
80	80+ CRI	
<b>VOLTAGE VOLTAGE</b>		
120V	120 VOLT	
277V	277 VOLT	
<b>CONTROL OPTION OPTION DE CONTRÔLE</b>		
DDV	0-10V DIMMING (120V-277V)	
NLT*	NLIGHT NTUNE CONTROL *CONSULT CANOPY AVAILABILITY CHART AT THE END OF DOC. TO KNOW COMPATIBILITY OF MOUNTING OPTION *LONGER LEAD TIME MAY APPLY, PLEASE CONTACT YOUR EUREKA REPRESENTATIVE REFER TO NLIGHT GUIDE AND INSTALLATION SHEET FOR ALL REQUIREMENTS	
<b>DRIVER POSITION POSITION DU PILOTE</b>		
RMP	REMOTE DRIVER (3981GC)	
<b>CABLE CÂBLE</b>		<b>AC</b>
AC	AIRCRAFT MOUNTING AND BLACK OR WHITE CABLE, FIELD ADJUSTABLE	
<b>CABLE LENGTH LONGUEUR DE CÂBLE</b>		
60	60" AIRCRAFT CABLE (STD LENGTH)	
**	CUSTOM AIRCRAFT CABLE LENGTH (PLEASE SPECIFY) FOR OVERALL LENGTH, PLEASE CONTACT YOUR EUREKA REPRESENTATIVE	
<b>MOUNTING OPTION OPTION DE MONTAGE</b>		
RC3	STANDARD SCREWLESS CANOPY 09.4" X 1.88" (2475I)	
RC5*	REMOTE DRIVER OPTION SCREWLESS 06.14" X 0.08" CANOPY (2471C) *REQUIRES ACCESSORY 3981GC	
<b>MOUNTING CABLE OPTION OPTION DE MONTAGE DE CÂBLE</b>		
RCA*	CENTERED ROUND CANOPY - AIRCRAFT CABLES ANGLED TO CENTER	
RCC	CENTERED ROUND CANOPY - STRAIGHT AIRCRAFT CABLES *NOT AVAILABLE FOR SECTIONAL RINGS (090° & 0120°) IF NO OPTION IS SELECTED, AN OFF-CENTERED ROUND CANOPY WITH STRAIGHT AIRCRAFT CABLES IS STANDARD	
<b>CANOPY FINISH FINI PAVILLON</b>		
BLKE	BLACK FINE TEXTURE	
WHE	WHITE FINE TEXTURE	
RAL*	PLEASE SPECIFY RAL CODE *LONGER LEAD TIME MAY APPLY, PLEASE CONTACT YOUR EUREKA REPRESENTATIVE	
<b>POWER CORD FINISH FINI CÂBLE D'ALIMENTATION</b>		
BLK	BLACK POWER CORD	
WH	WHITE POWER CORD	
<b>RING FINISH FINI ANNEAU</b>		
BLKE	BLACK FINE TEXTURE	
WHE	WHITE FINE TEXTURE	
RAL*	PLEASE SPECIFY RAL CODE *LONGER LEAD TIME MAY APPLY, PLEASE CONTACT YOUR EUREKA REPRESENTATIVE	
<b>ACCESSORY ACCESSOIRE</b>		
3981GC	DRIVER BOX FOR REMOTE INSTALLATION - 3.83" X 12" X 16"	

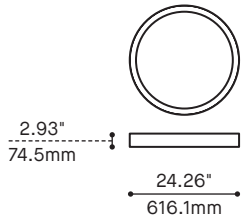
## PRODUCT CHARACTERISTICS CARACTÉRISTIQUES DU PRODUIT



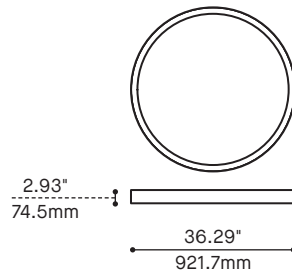
# ATOLL - 4850 - DIMENSIONS

THICKNESS OF THE RING: 2.95" / 70mm

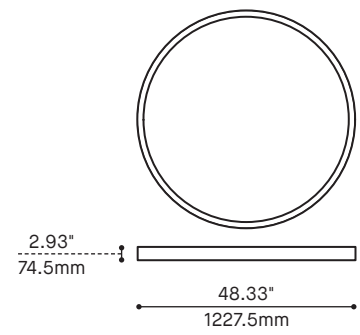
4850-24  
ATOLL 24"



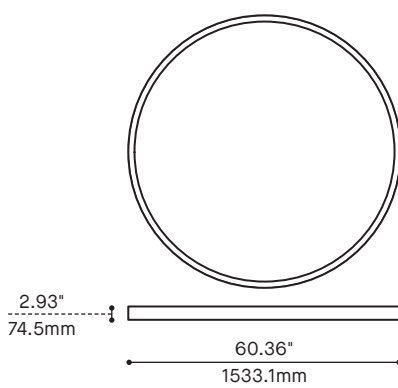
4850-36  
ATOLL 36"



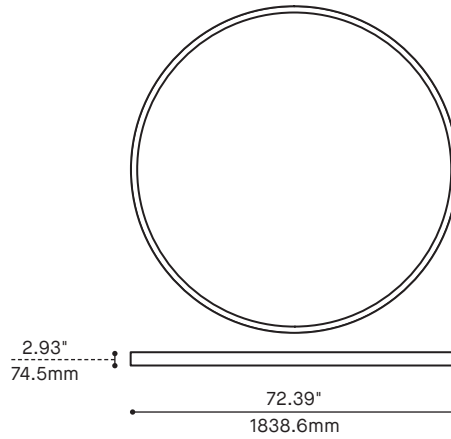
4850-48  
ATOLL 48"



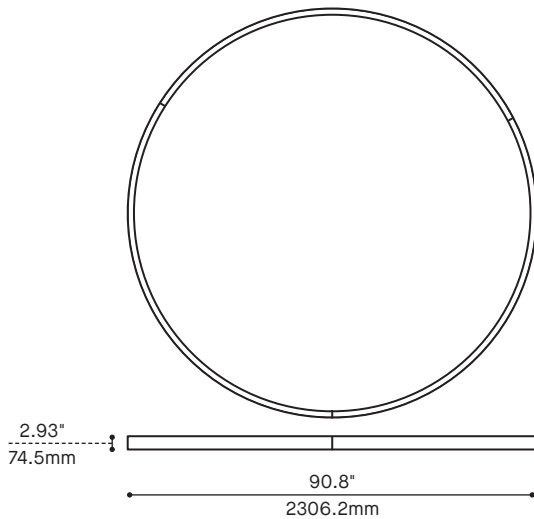
4850-60  
ATOLL 60"



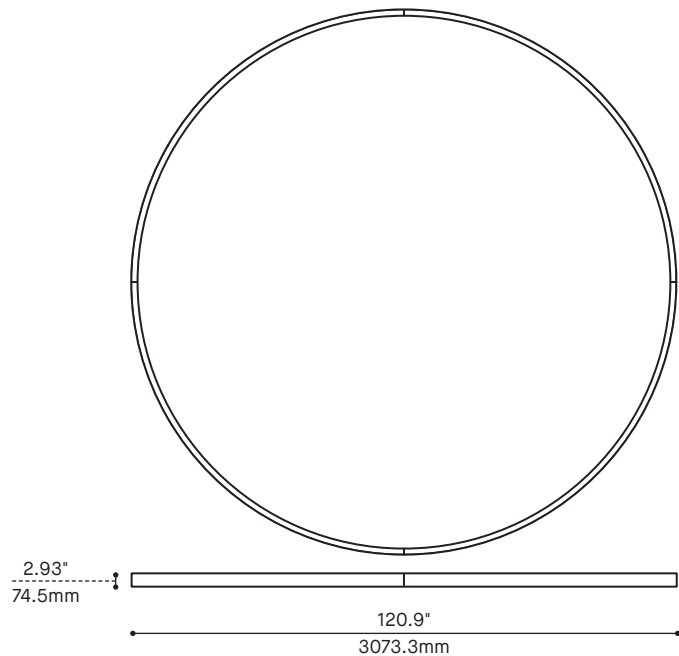
4850-72  
ATOLL 72"



4850-90  
ATOLL 90"



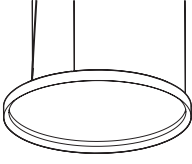

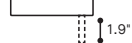
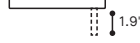
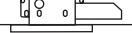
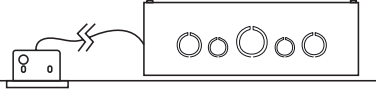
4850-120  
ATOLL 120"



# ATOLL - 4850/4851 - CANOPY COMPATIBILITY CHART

## LEGEND

- : NOT AVAILABLE IN TUNABLE WHITE
- △ : NOT AVAILABLE WITH NTUNE
- : NOT AVAILABLE WITH PHASE DIMMING (DP)

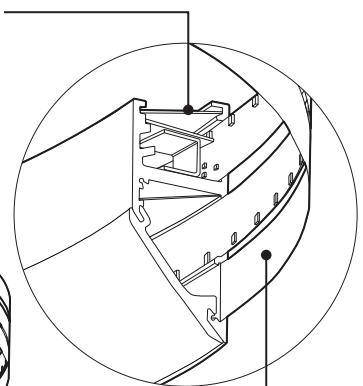
<b>FIXTURE</b> 	CANOPY				
	RC1	RC2	RC3	RC4 (RDP)	RC5 (RMP)
	 <b>RC1</b> 05.50" x 1.35"* 0140 x 34.3mm*	 <b>RC2 - WIRED / AIR</b> 07.75" x 1.30"* 0196.9 x 33mm*	 <b>RC3 - STD</b> <b>RC3 - WIRED / AIR</b> 09.4" x 1.88"* 0238.8 x 47.8mm*	 <b>RC4 (RDP)</b> 09.3" x 0.50"* 0236.2 x 13mm*	 <b>RC5 (RMP)</b> 04.50" x 0.50"* 0114 x 13mm*
		COMPATIBLE WITH NLIGHT	COMPATIBLE WITH NLIGHT	COMPATIBLE WITH NLIGHT	COMPATIBLE WITH NLIGHT WIRED
24° - D - REG	X	X	X	X	X
24° - D - HO <span style="float: right;">△</span>	X	X	X	X	X
24° - DI - REG - REG <span style="float: right;">△</span>	X	X	X		X
24° - DI - REG - HO <span style="float: right;">△</span>	X	X	X		X
24° - DI - HO - HO <span style="float: right;">△</span>	X	X	X		X
36° - D - REG	X	X	X	X	X
36° - D - HO <span style="float: right;">△</span>			X		X
36° - DI - REG - REG <span style="float: right;">△</span>	X	X	X		X
36° - DI - REG - HO <span style="float: right;">△</span>			X		X
36° - DI - HO - HO <span style="float: right;">△</span>			X		X
48° - D - REG	X	X	X	X	X
48° - D - HO <span style="float: right;">△</span>			X		X
48° - DI - REG - REG <span style="float: right;">△</span>	X	X			X
48° - DI - REG - HO <span style="float: right;">△</span>			X		X
48° - DI - HO - HO <span style="float: right;">△</span>			X		X
60° - D - REG	X	X	X	X	X
60° - D - HO <span style="float: right;">△</span>			X		X
60° - DI - REG - REG <span style="float: right;">△</span>	X	X	X		X
60° - DI - REG - HO <span style="float: right;">△</span>			X		X
60° - DI - HO - HO <span style="float: right;">△</span>			X		X
72° - D - REG			X		X
72° - D - HO <span style="float: right;">△</span>			X		X
72° - DI - REG - REG <span style="float: right;">△</span>			X		X
72° - DI - REG - HO <span style="float: right;">△</span>					X
72° - DI - HO - HO <span style="float: right;">△</span>					X
90° - D - REG <span style="float: right;">△○</span>			X		X
90° - D - HO <span style="float: right;">△○</span>			X		X
90° - DI - REG - REG <span style="float: right;">△○</span>			X		X
90° - DI - REG - HO <span style="float: right;">△○</span>					X
90° - DI - HO - HO <span style="float: right;">△○</span>					X
120° - D - REG <span style="float: right;">△○</span>			X		X
120° - D - HO <span style="float: right;">△○</span>			X		X
120° - DI - REG - REG <span style="float: right;">△○</span>			X		X
120° - DI - REG - HO <span style="float: right;">△○</span>					X
120° - DI - HO - HO <span style="float: right;">△○</span>					X

### RECOMMENDED MINIMUM DISTANCE FROM CEILING (from the top of the fixture)

Ø24"	Ø36"	Ø48"	Ø60"	Ø72"	Ø90"	Ø120"
5"	6.75"	8.5"	10.25"	12"	15.25"	19"

### ARCHITECTURAL LIGHTING

Indirect lighting controlled by aluminium reflectors create a batwing light distribution. This allows an even up light illumination even when the fixture is close to the ceiling.

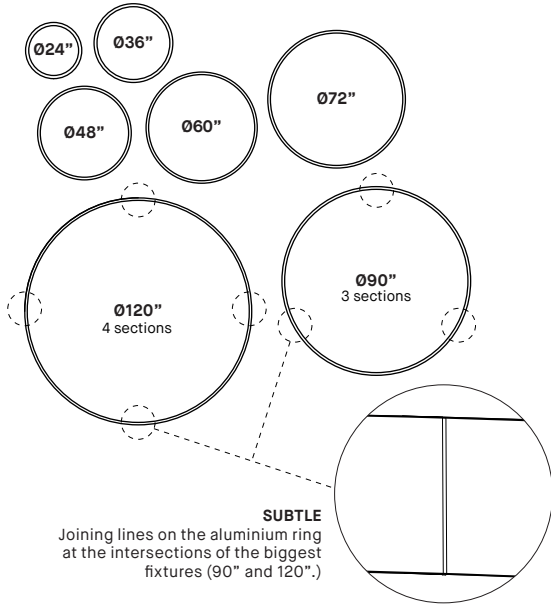


### HIGH PERFORMANCE

The light emitted from the LED strips are controlled by 98% efficient reflectors. This allows Atoll to have an excellent performance.

### LARGE FAMILY

Offered in 7 different sizes.  
An infinite number of possible layouts  
From the smallest to the largest space.



### SILICONE DIFFUSER

With anti-yellowing agents and is UV stable. Allows for a single discreet joining line across all sizes.

### CANOPY POSITION



**4850-XX**  
Standard off-centered round canopy /  
Straight aircraft cables



**4850-XX-RCA**  
Centered round canopy /  
Aircraft cables angled to center



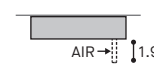
**4850-XX-RCC**  
Centered round canopy /  
Straight aircraft cables



### CANOPY OPTIONS



**NLIGHT CANOPY**  
7.8" x 1.3"  
Mounting on a 4"  
standard j-box



**NLIGHT CANOPY**  
9.4" x 1.88"  
Mounting on a 4"  
standard j-box



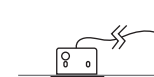
**STANDARD CANOPY**  
5.5" x 1.4"  
Mounting on a 4"  
standard j-box



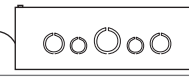
**STANDARD CANOPY**  
9.4" x 1.88"  
Mounting on a 4"  
standard j-box



**LOW PROFILE CANOPY**  
9.3" x 0.5"  
Mounting on Eureka box 3981C  
(sold separately)  
Recessed driver for discreet  
installation



**SMALL CANOPY**  
4.5" x 0.5"  
Mounting on a 4"  
standard j-box



**DRIVER REMOTE BOX**  
12" x 16" x 3.83"

Drivers in remote box for discreet installation

\*Refer to RMP installation sheet for maximum distance between remote driver box and fixture.

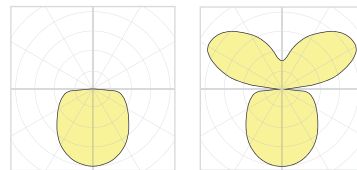
PRODUCT SPECIFICATION	4850-24		4850-36		4850-48		4850-60		4850-72		4850-90		4850-120	
	REG	HO	REG	HO	REG	HO	REG	HO	REG	HO	REG	HO	REG	HO
<b>SYSTEM WATTAGE</b>	19.3W	39.6W	28.4W	60.0W	39.0W	79.2W	48.7W	99.6W	56.7W	120.0W	73.1W	154.7W	97.5W	206.2W
<b>DELIVERED LUMENS - DIRECT (4000K)</b>	1884LM	3606.9LM	2779LM	5463LM	3811LM	7222LM	4759LM	9066LM	5554LM	10918LM	7138LM	14021LM	9517LM	18695LM
<b>DELIVERED LUMENS - INDIRECT (4000K)</b>	2728LM	5223LM	4021LM	7903LM	5512LM	10447LM	6890LM	13127LM	8041LM	15806LM	10335LM	20309LM	13780LM	27066LM
<b>TOTAL DELIVERED LUMENS (4000K)</b>	4612LM	8830LM	6800LM	13366LM	9323LM	17669LM	11649LM	22193LM	13595LM	26724LM	17473LM	34330LM	23297LM	45761LM
<b>TOTAL EFFICACY</b>	123LM/W	115LM/W	124LM/W	115LM/W	124LM/W	115LM/W	124LM/W	115LM/W	124LM/W	115LM/W	124LM/W	115LM/W	123LM/W	115LM/W

OTHER INFORMATION	4850-24	4850-36	4850-48	4850-60	4850-72	4850-90	4850-120
<b>WEIGHT OF FIXTURE</b>	6.6LBS / 3KG	10.1LBS / 4.6KG	13.2LBS / 6KG	16.8LBS / 7.6KG	20.3LBS / 9.2KG	25.1LBS / 11.4KG	33.5LBS / 15.2KG
<b>L70 (LUMEN MAINTENANCE)</b>	> 60 000 H	> 60 000 H	> 60 000 H	> 60 000 H	> 60 000 H	> 60 000 H	> 60 000 H

### EFFICACY MULTIPLIERS

CRI	CCT	FACTOR	TW FACTOR
80+	5000K	-	0.93
80+	4000K	-	1.00
80+	3500K	-	0.99
80+	3000K	-	0.98
80+	2700K	-	0.91
90+	4000K	1.00	-
90+	3500K	0.96	-
90+	3000K	0.92	-
90+	2700K	0.87	-

### LIGHT DISTRIBUTION



DIRECT

DIRECT/INDIRECT



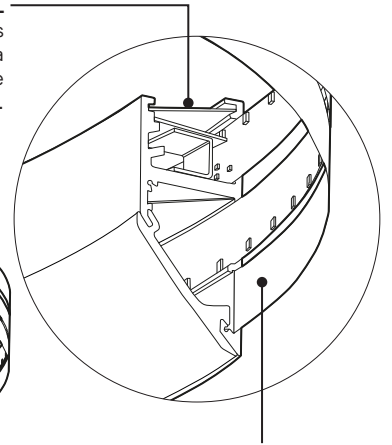
Visit our website for warranty terms and conditions.

## DISTANCE MINIMUM RECOMMANDÉE DU PLAFOND (à partir du haut du luminaire)

Ø24"	Ø36"	Ø48"	Ø60"	Ø72"	Ø90"	Ø120"
5"	6.75"	8.5"	10.25"	12"	15.25"	19"

## ÉCLAIRAGE ARCHITECTURAL

La lumière indirecte est contrôlée par des réflecteurs en aluminium qui crée une distribution batwing. Cela permet une illumination unie du plafond, même lorsque l'anneau est proche de celui-ci.



## HAUTE PERFORMANCE

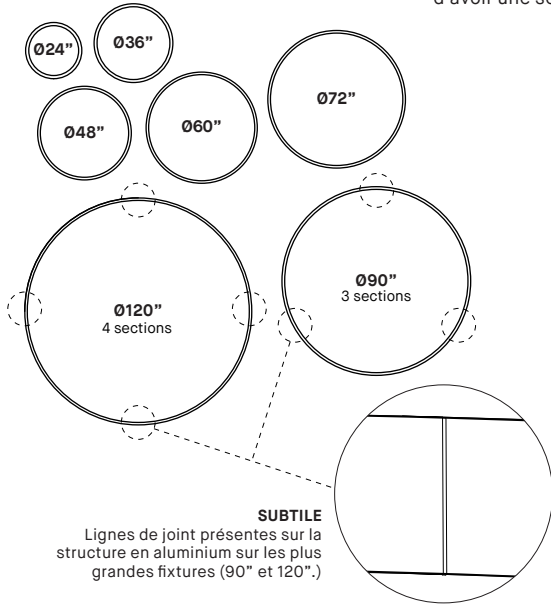
La lumière des bandes DEL est contrôlée avec des réflecteurs efficaces à 98%. Cela permet à Atoll d'avoir une excellente performance.

## FAMILLE ÉTENDUE

Offert en 7 tailles polyvalentes. Une infinité de combinaisons possibles Pour les petits aux plus grands espaces.

## DIFFUSEUR EN SILICONE

Avec agents anti-jaunissement et une stabilité aux rayons UV. Permet d'avoir une seule ligne de joint discrète pour toutes les grandeurs.



## SUBTILE

Lignes de joint présentes sur la structure en aluminium sur les plus grandes fixtures (90" et 120".)

## POSITION DU PAVILLON



### 4850-XX

Pavillon standard rond centré avec le luminaire / Câbles droits



### 4850-XX-RCA

Pavillon rond centré avec le luminaire / Câbles centrés

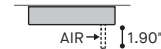


### 4850-XX-RCC

Pavillon rond centré avec le luminaire / Câbles droits

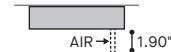


## OPTIONS DE PAVILLON



### PAVILLON NLIGHT 7.8" x 1.3"

Installation sur boîte de connexion 4" standard



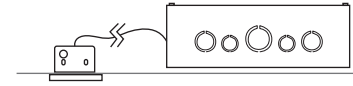
### PAVILLON NLIGHT 9.4" x 1.88"

Installation sur boîte de connexion 4" standard



### PAVILLON PROFIL BAS 9.3" x 0.5"

Installation sur boîte 3981C (vendue séparément) Pilote encastré pour une installation discrète



### PETIT PAVILLON 4.5" x 0.5"

Installation sur boîte de connexion 4" standard Pilote dans boîte à distance pour une installation discrète

### BOÎTE PILOTES À DISTANCE 12" x 16" x 3.83"

\*Se référer à la fiche d'installation RMP pour connaître la distance maximale entre la boîte pilotes à distance et le luminaire

## SPÉCIFICATION PRODUIT

	4850-24		4850-36		4850-48		4850-60		4850-72		4850-90		4850-120	
	REG	HO	REG	HO	REG	HO	REG	HO	REG	HO	REG	HO	REG	HO
<b>PERFORMANCE</b>														
<b>PUISSANCE TOTALE</b>	19.3W	39.6W	28.4W	60.0W	39.0W	79.2W	48.7W	99.6W	56.7W	120.0W	73.1W	154.7W	97.5W	206.2W
<b>LUMENS RÉELS DIRECT (4000K)</b>	1884LM	3606.9LM	2779LM	5463LM	3811LM	7222LM	4759LM	9066LM	5554LM	10918LM	7138LM	14021LM	9517LM	18695LM
<b>LUMENS RÉELS INDIRECT (4000K)</b>	2728LM	5223LM	4021LM	7903LM	5512LM	10447LM	6890LM	13127LM	8041LM	15806LM	10335LM	20309LM	13780LM	27066LM
<b>LUMENS RÉELS TOTAL</b>	4612LM	8830LM	6800LM	13366LM	9323LM	17669LM	11649LM	22193LM	13595LM	26724LM	17473LM	34330LM	23297LM	45761LM
<b>EFFICACITÉ TOTAL</b>	123LM/W	115LM/W	124LM/W	115LM/W	124LM/W	115LM/W	124LM/W	115LM/W	124LM/W	115LM/W	124LM/W	115LM/W	123LM/W	115LM/W

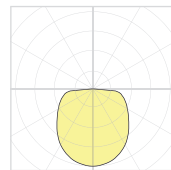
## AUTRES INFORMATION

	4850-24	4850-36	4850-48	4850-60	4850-72	4850-90	4850-120
<b>POIDS DU LUMINAIRE</b>	6.6LBS / 3KG	10.1LBS / 4.6KG	13.2LBS / 6KG	16.8LBS / 7.6KG	20.3LBS / 9.2KG	25.1LBS / 11.4KG	33.5LBS / 15.2KG
<b>L70 (MAINTENANCE DE LA LUMIÈRE)</b>	> 60 000 H	> 60 000 H	> 60 000 H	> 60 000 H	> 60 000 H	> 60 000 H	> 60 000 H

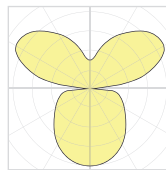
## FACTEUR D'EFFICACITÉ

CRI	CCT	FACTEUR	FACTEUR TW
80+	5000K	-	0.93
80+	4000K	-	1.00
80+	3500K	-	0.99
80+	3000K	-	0.98
80+	2700K	-	0.91
90+	4000K	1.00	-
90+	3500K	0.96	-
90+	3000K	0.92	-
90+	2700K	0.87	-

## DISTRIBUTION LUMINEUSE



DIRECTE



DIRECTE/INDIRECTE



Visitez notre site Web pour les termes et conditions.