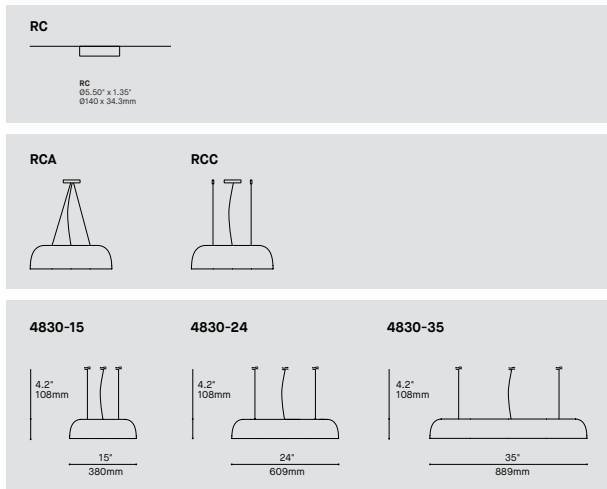


# CIRRA 4830 PENDANT

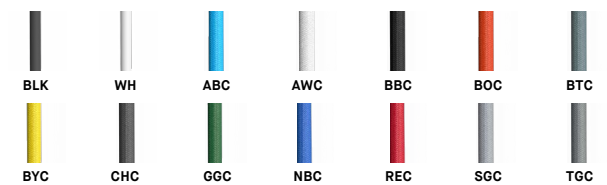
PROJECT PROJÉT
SPEC TYPE
NOTES



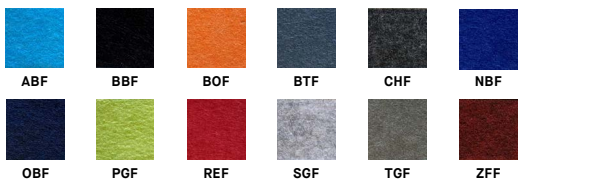
## MOUNTING OPTIONS OPTIONS DE MONTAGE



## POWER CORD FINISH FINI CÂBLE D'ALIMENTATION



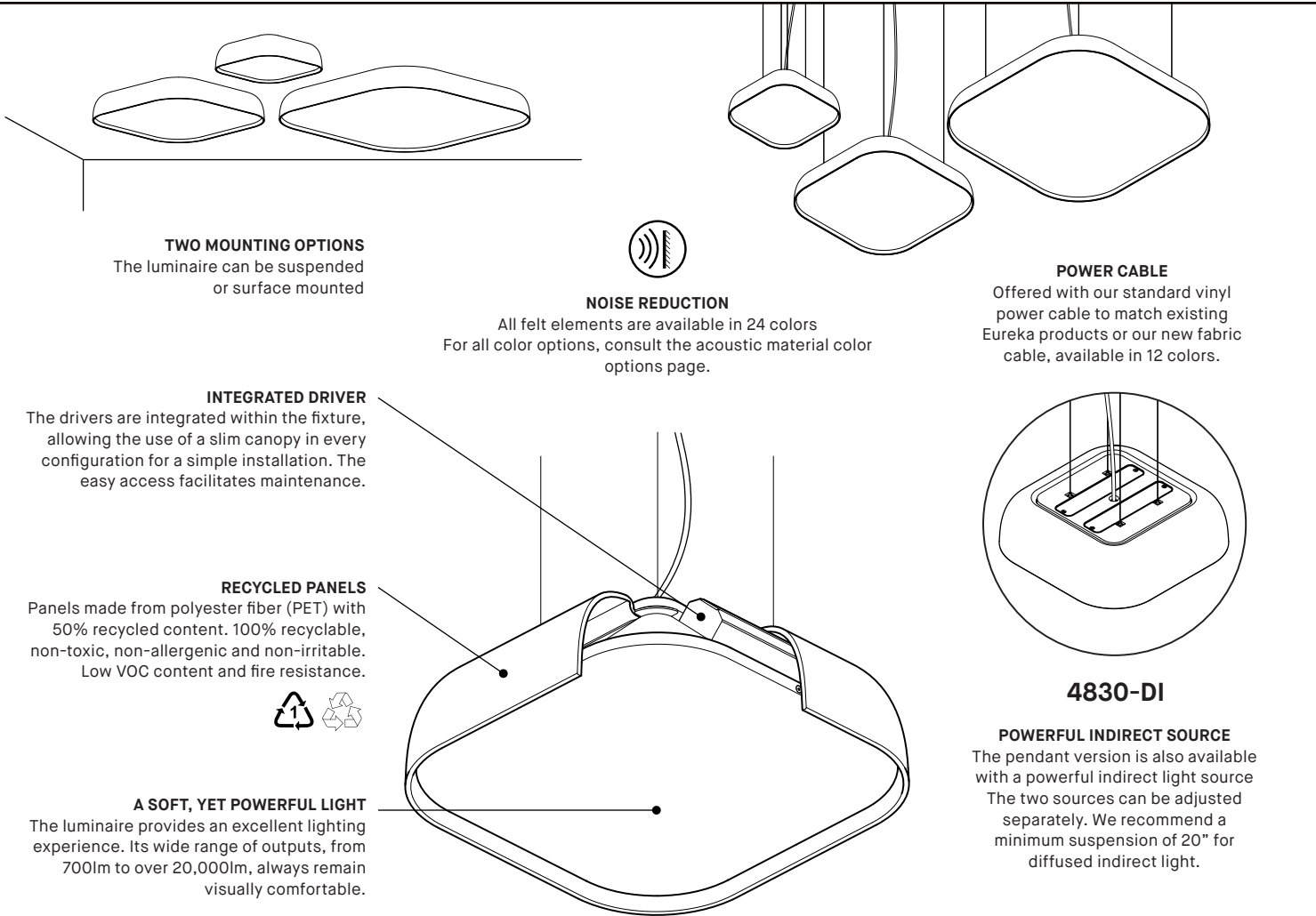
## SHADE FINISH FINI ABAT-JOUR



ADDITIONAL PREMIUM COLORS AVAILABLE – SEE ACOUSTIC MATERIAL COLOR OPTIONS PAGE

ORDERING SPECIFICATION	SPÉCIFICATION DE COMMANDE	CODE			
<b>MODEL</b> MODÈLE					
4830D-15	CIRRA 15" (DIRECT)				
4830D-24	CIRRA 24" (DIRECT)				
4830D-35	CIRRA 35" (DIRECT)				
4830DI-15	CIRRA 15" (DIRECT + INDIRECT)				
4830DI-24	CIRRA 24" (DIRECT + INDIRECT)				
4830DI-35	CIRRA 35" (DIRECT + INDIRECT)				
4830DI 15-DD	CIRRA 15" (DIRECT + INDIRECT) (DUAL DIMMING)*				
4830DI-24-DD	CIRRA 24" (DIRECT + INDIRECT) (DUAL DIMMING)*				
4830DI-35-DD	CIRRA 35" (DIRECT + INDIRECT) (DUAL DIMMING)*				
*DIRECT AND INDIRECT LIGHT SOURCES CAN BE DIMMED INDEPENDENTLY					
<b>LIGHT SOURCE</b> SOURCE LUMINEUSE					
4830D					
LED	REGULAR OUTPUT				
LED.HO	HIGH OUTPUT				
4830DI					
LED.REG.REG	REGULAR OUTPUT DIRECT + REGULAR OUTPUT INDIRECT				
LED.REG.HO	REGULAR OUTPUT DIRECT + HIGH OUTPUT INDIRECT				
LED.HO.REG	HIGH OUTPUT DIRECT + REGULAR OUTPUT INDIRECT				
LED.HO.HO	HIGH OUTPUT DIRECT + HIGH OUTPUT INDIRECT				
<b>COLOR TEMPERATURE</b> TEMPÉRATURE DE COULEUR					
27	2700K				
30	3000K				
35	3500K				
40*	4000K				
*LONGER LEAD TIME MAY APPLY. PLEASE CONTACT YOUR EUREKA REPRESENTATIVE					
<b>COLOR RENDERING INDEX(CRI)</b> INDICE DE RENDU DE COULEUR (IRC)					
90	90+ CRI				
<b>VOLTAGE</b> VOLTAGE					
120V	120 VOLT				
277V	277 VOLT				
<b>CONTROL OPTION</b> OPTION DE CONTRÔLE					
DV	0-10V DIMMING (120V-277V)				
DP*	PHASE DIMMING (120V ONLY)				
NLTAIR2**	NLIGHT AIR CONTROL GEN 2				
NLIGHT**	NLIGHT WIRED CONTROL				
* PHASE DIMMING ONLY AVAILABLE FOR 4830D-15, 4830DI-15 AND 4830D-24-LED & 4830DI-24 LED.REG. REG/LED.REG.HO					
** NLIGHT INTEGRATION REQUIRES A REMOTE POWER PACK (39NLAA FOR NLTAIR2 OR 39NLWA FOR NLIGHT) DUAL DIMMING NOT AVAILABLE WITH NLIGHT OPTIONS*					
<b>EMERGENCY BATTERY</b> BATTERIE D'URGENCE					
EM DRIVER BOX INCLUDED. INSTALLED REMOTELY. SEE EM GUIDE FOR DETAILS.					
EMB*	EMERGENCY BATTERY FOR REMOTE BOX				
*3981E ACCESSORY IS REQUIRED FOR THIS OPTION					
<b>STEM OR CABLE</b> TIGE OU CÂBLE					
AC	AIRCRAFT MOUNTING & BLACK, WHITE OR COLOR CABLE, FIELD ADJUSTABLE				
S10	BLACK OR WHITE 3/8" (10MM) STEM, NOT FIELD ADJUSTABLE				
* ONLY AVAILABLE WITH 4830-15					
<b>STEM OR CABLE LENGTH</b> LONGUEUR DE TIGE OU CÂBLE					
36	36" STEM (STD LENGTH)				
60	60" CABLE (STD LENGTH)				
**	CUSTOM STEM OR CABLE LENGTH (PLEASE SPECIFY)				
FOR OVERALL LENGTH PLEASE CONTACT YOUR EUREKA REPRESENTATIVE.					
<b>MOUNTING</b> MONTAGE		<b>RC</b>			
RC	SCREWLESS CANOPY 05.50" X 1.35" (2473F)				
<b>MOUNTING CABLE OPTION</b> OPTIONS DE MONTAGE					
RCA	CENTERED ROUND CANOPY - AIRCRAFT CABLES ANGLED TO CENTER				
RCC	CENTERED ROUND CANOPY - STRAIGHT AIRCRAFT CABLES				
* IF NO OPTION IS SELECTED, AN OFF-CENTERED ROUND CANOPY WITH STRAIGHT AIRCRAFT CABLES IS STANDARD					
<b>CANOPY FINISH</b> FINI PAVILLON					
BLKE	BLACK FINE TEXTURE				
WHE	WHITE FINE TEXTURE				
RAL	PLEASE SPECIFY RAL CODE				
* LONGER LEAD TIME MAY APPLY. PLEASE CONTACT YOUR EUREKA REPRESENTATIVE					
<b>POWER CABLE FINISH</b> FINI CÂBLE ALIMENTATION					
BLK	BLACK VINYL	BOC*	BLOOD ORANGE	NBC*	NAVY BLUE
WH	WHITE VINYL	BTC*	BATTLESHIP GRAY	REC*	RED
ABC*	AZURE BLUE	BYC*	BANANA YELLOW	SGC*	SILVER GRAY
AWC*	ARCTIC WHITE	CHC*	CHARCOAL	TGC*	TITANIUM GRAY
BBC*	BASIC BLACK	GGC*	GRASS GREEN		
* TEXTILE BRAIDED CORD, ADDITIONAL COST AND LONGER LEAD TIME MAY APPLY. PLEASE CONTACT YOUR EUREKA REPRESENTATIVE					
** NOT OFFERED WITH EMB					
*** NOT OFFERED WITH DUAL DIMMING					

SHADE FINISH		FINI ABAT-JOUR		
<b>ABF</b>	AZURE BLUE FELT	<b>CHF</b>	CHARCOAL GREY FELT	<b>REF</b> RED FELT
<b>BBF</b>	BASIC BLACK FELT	<b>NBF</b>	NAVY BLUE FELT	<b>SGF</b> SILVER GREY FELT
<b>BOF</b>	BLOOD ORANGE FELT	<b>OBF</b>	OCEAN BLUE FELT	<b>TGF</b> TITANIUM GRAY FELT
<b>BTF</b>	BATTLESHIP GRAY FELT	<b>PGF</b>	PEAR GREEN FELT	<b>ZFF</b> ZINFANDEL FELT
<b>PREMIUM*</b>	PLEASE SPECIFY PREMIUM COLOR CODE – SEE ACOUSTIC MATERIAL COLOR OPTIONS PAGE * LONGER LEAD TIME MAY APPLY, PLEASE CONTACT YOUR EUREKA REPRESENTATIVE			
DIFFUSER FINISH		FINI DIFFUSEUR		WH
<b>WH</b>	WHITE			
ACCESSORY		ACCESSOIRE		
ALL ACCESSORIES ARE AVAILABLE FOR ADVANCE SHIPPING				
<b>39NLAA*</b>	NLIGHT AIR GEN 2 REMOTE POWER PACK			
<b>39NLWA*</b>	NLIGHT WIRED REMOTE POWER PACK			
	* FOR CHICAGO PLENUM INSTALLATION, PLEASE CONTACT YOUR EUREKA REPRESENTATIVE			
ACCESSORY EMERGENCY BATTERY		ACCESSOIRE BATTERIE D'URGENCE		
<b>3981EA</b>	ELECTRICAL BOX FOR EMB EMERGENCY BATTERY			



**TWO MOUNTING OPTIONS**  
The luminaire can be suspended or surface mounted



**NOISE REDUCTION**  
All felt elements are available in 24 colors  
For all color options, consult the acoustic material color options page.

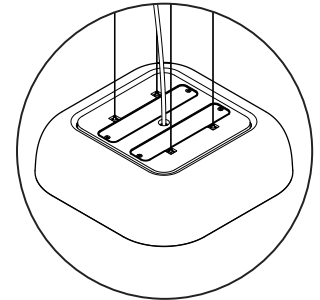
**POWER CABLE**  
Offered with our standard vinyl power cable to match existing Eureka products or our new fabric cable, available in 12 colors.

**INTEGRATED DRIVER**  
The drivers are integrated within the fixture, allowing the use of a slim canopy in every configuration for a simple installation. The easy access facilitates maintenance.

**RECYCLED PANELS**  
Panels made from polyester fiber (PET) with 50% recycled content. 100% recyclable, non-toxic, non-allergenic and non-irritable. Low VOC content and fire resistance.



**A SOFT, YET POWERFUL LIGHT**  
The luminaire provides an excellent lighting experience. Its wide range of outputs, from 700lm to over 20,000lm, always remain visually comfortable.



**4830-DI**

**POWERFUL INDIRECT SOURCE**  
The pendant version is also available with a powerful indirect light source. The two sources can be adjusted separately. We recommend a minimum suspension of 20" for diffused indirect light.

**CLEANING**

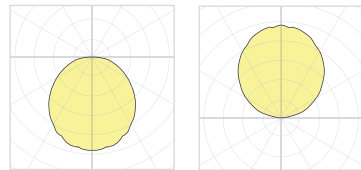
Regular cleaning will help to prolong the life of your acoustic products. Periodic cleaning can be done with a vacuum cleaner or by wiping with a damp cloth. Do not use abrasive products, soap or chemical cleaners.

PRODUCT SPECIFICATION	15" DIRECT	24" DIRECT	35" DIRECT	15" INDIRECT	24" INDIRECT	35" INDIRECT
<b>PERFORMANCE</b>	<b>REG/HO</b>	<b>REG/HO</b>	<b>REG/HO</b>	<b>REG/HO</b>	<b>REG/HO</b>	<b>REG/HO</b>
<b>SYSTEM WATTAGE</b>	16.5/25 W	66/95.7 W	148.6/215.3 W	8.5/13.4 W	17/26.8 W	34/53.7 W
<b>DELIVERED LUMENS (4000K)</b>	956/1374 LM	4926/7084 LM	11466/16490 LM	717/1045 LM	1433/2090 LM	2867/4181 LM
<b>EFFICACY</b>	58/55 LM/W	75/74 LM/W	77/77 LM/W	84/78 LM/W	84/78 LM/W	84/78 LM/W
<b>OTHER INFORMATIONS</b>						
<b>WEIGHT</b>	4.3 LBS / 1.9 KG	8.8 LBS / 4.4 KG	22.0 LBS / 10.9 KG			
<b>L70 (LUMEN MAINTENANCE)</b>	60,000	60,000	60,000			
<b>WELL &amp; LEED STANDARD REQUIREMENTS</b>						
<b>MAX. LUMINANCE 45°-90° OF NADIR</b>	2252 CD/M² (AT HO)	3211 CD/M² (AT HO)	3622 CD/M² (AT HO)			
<b>LIGHT QUALITY</b>	R9 > 50 (WITH 4000K)	R9 > 50 (WITH 4000K)	R9 > 50 (WITH 4000K)			
<b>FLICKERING TOLERANCE</b>	LOW FLICKER COMPLIANT	LOW FLICKER COMPLIANT	LOW FLICKER COMPLIANT			
<small>(TO CALIFORNIA TITLE 24)</small>						

**EFFICACY MULTIPLIERS**

CRI	CCT	FACTOR
90+	4000K	1.00
90+	3500K	0.98
90+	3000K	0.94
90+	2700K	0.91

**LIGHT DISTRIBUTION**

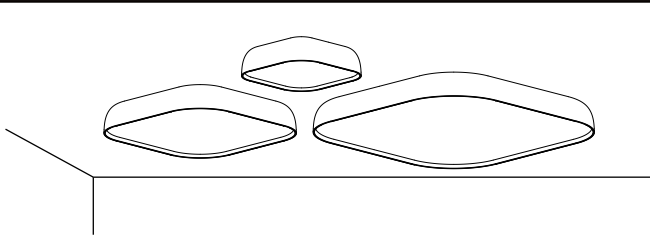


DIRECT

INDIRECT



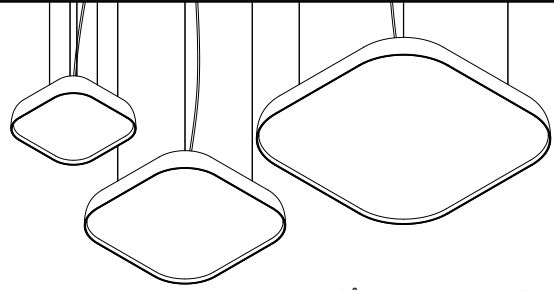
Visit our website for warranty terms and conditions.



**DEUX OPTIONS DE MONTAGE**  
Le luminaire peut être suspendu ou monté en surface.

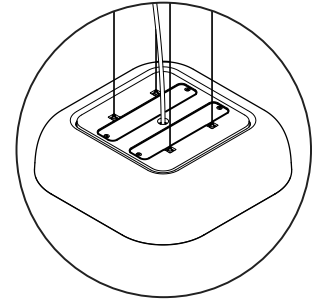


**ATTÉNUATION DU BRUIT**  
Tous éléments en feutres sont disponible en 24 couleurs.  
Pour toutes options de couleurs, consulter la page d'options de couleurs de matériel acoustique.



**CÂBLE D'ALIMENTATION**  
Offert avec notre câble d'alimentation en vinyle standard pour concorder aux produits Eureka existants ou notre nouveau câble en tissu, disponible en 12 couleurs.

**UNITÉ D'ALIMENTATION À DEL INTÉGRÉE**  
Les unités d'alimentation sont intégrés dans le luminaire, permettant l'utilisation d'un petit pavillon dans toutes configurations pour une installation simple. L'accès pratique facilite l'entretien.



**4830-DI**

**SOURCE INDIRECTE PUISSANTE**  
La version en suspension est aussi offerte avec une source lumineuse indirect puissante. Les deux sources peuvent se régler séparément. Nous recommandons une suspension minimum de 20" pour avoir une lumière indirecte diffuse.

**PANNEAUX RECYCLÉS**

Panneaux composés de fibres de polyester (PET) avec 50% de matière recyclées. 100% recyclable, non-toxique, non-allergène et non-irritable. Faible teneur en COV et résistance au feu.



**LUMIÈRE DOUCE MAIS PUISSANTE**

Le luminaire offre une excellente expérience d'éclairage. Ses diverses options de puissance lumineuse, de 700lm à plus de 20,000lm, demeure toujours visuellement agréable.

**NETTOYAGE**

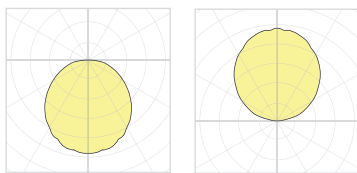
Un nettoyage approprié et régulier contribuera à prolonger la durée de vie des produits acoustiques. Un nettoyage périodique peut être fait avec un aspirateur ou en essuyant avec un chiffon humide. Ne pas utiliser de produits abrasifs, de savon ou de produits nettoyants chimiques.

PRODUCT SPECIFICATION	15" DIRECT	24" DIRECT	35" DIRECT	15" INDIRECT	24" INDIRECT	35" INDIRECT
<b>PERFORMANCE</b>	<b>REG/HO</b>	<b>REG/HO</b>	<b>REG/HO</b>	<b>REG/HO</b>	<b>REG/HO</b>	<b>REG/HO</b>
<b>PUISSANCE TOTALE</b>	16.5/25 W	66/95.7 W	148.6/215.3 W	8.5/13.4 W	17/26.8 W	34/53.7 W
<b>LUMENS RÉELS (4000K)</b>	956/1374 LM	4926/7084 LM	11466/16490 LM	717/1045 LM	1433/2090 LM	2867/4181 LM
<b>EFFICACITÉ</b>	58/55 LM/W	75/74 LM/W	77/77 LM/W	84/78 LM/W	84/78 LM/W	84/78 LM/W
<b>OTHER INFORMATIONS</b>						
<b>POIDS</b>	4.3 LBS / 1.9 KG	8.8 LBS / 4.4 KG	22.0 LBS / 10.9 KG			
<b>L70 (MAINTENANCE DE LA LUMIÈRE)</b>	60,000	60,000	60,000			
<b>WELL &amp; LEED STANDARD REQUIREMENTS</b>						
<b>MAX. LUMINANCE 45°-90° NADIR</b>	2252 CD/M² (AT HO)	3211 CD/M² (AT HO)	3622 CD/M² (AT HO)			
<b>QUALITÉ DE LA LUMIÈRE</b>	R9 > 50 (WITH 4000K)	R9 > 50 (WITH 4000K)	R9 > 50 (WITH 4000K)			
<b>TOLÉRANCE DE CLIGNOTEMENTS</b>	LOW FLICKER COMPLIANT	LOW FLICKER COMPLIANT	LOW FLICKER COMPLIANT			
<small>(CONFORME À CALIFORNIA TITLE 24)</small>						

**FACTEUR D'EFFICACITÉ**

CRI	CCT	FACTOR
90+	4000K	1.00
90+	3500K	0.98
90+	3000K	0.94
90+	2700K	0.91

**DISTRIBUTION LUMINEUSE**



DIRECTE

INDIRECTE



Visitez notre site Web pour les termes et conditions.



**DONNÉES TECHNIQUES**