

# SERIE 1600

PROJECT PROJET
SPEC TYPE
NOTES

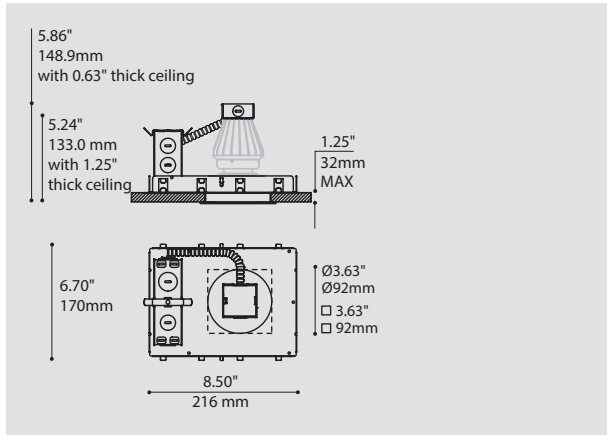
## NEW CONSTRUCTION — 1600 SERIES NOUVELLE CONSTRUCTION — SÉRIE 1600

- Housing for non insulated ceilings
- MR16, GU/GZ10, PAR20 & CFL
- Integral thermal protection
- Hanger bars that adjust between 14.25" (360mm) and 26" (660mm)
- Fits ceilings of up to 1.25" (32mm) thickness
- UL (C-UL-US) certified

- Boîtier pour les plafonds non isolés
- MR16, GU/GZ10, PAR20 & CFL
- Protection thermique intégrée
- Barres de suspension ajustables entre 14.25" (360mm) et 26" (660mm)
- S'installe dans des plafonds d'épaisseur allant jusqu'à 1.25" (32mm)
- Certifiés UL (C-UL-US)

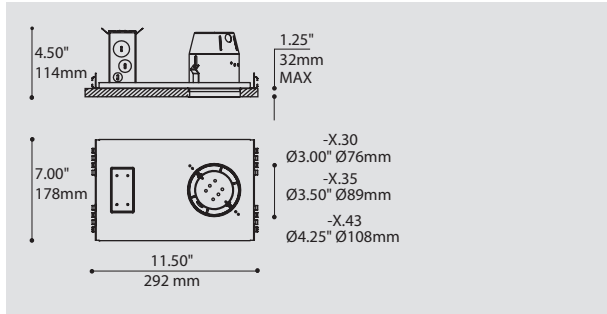
### NEW CONSTRUCTION NOUVELLE CONSTRUCTION

**1604** 16W MAX, LED, MR16, GU5.3 BASE (Ø3.50" & Ø3.50")



### NEW CONSTRUCTION NOUVELLE CONSTRUCTION

**1604C** 16W MAX, LED, MR16, GU5.3 BASE (Ø3" & Ø3.5")  
**1600C** 50W, HAL, MR16, GU5.3 BASE (Ø3", Ø3.5" & Ø4.25")  
**1601C** 50W, INC, PAR 20 MEDIUM BASE (Ø3.5")  
**1602** 13W, CFL, DOUBLE TWIN TUBE, G24Q1 BASE (Ø3.5")  
**1603C** 20W, CMH, MR16, GX10 BASE (Ø3.5")



### NEW CONSTRUCTION NOUVELLE CONSTRUCTION

**1604C.TL** 16W MAX, LED, MR16, GU5.3 BASE, TWIST AND LOCK (Ø3.5")  
**1600C.TL** 50W, HAL, MR16, GU5.3 BASE, TWIST AND LOCK (Ø3.5")  
**1602C.TL** 13W, CFL, DOUBLE TWIN TUBE, G24Q1 BASE, TWIST AND LOCK (Ø3.5")  
**1604C.TL** 4W, EUREKA LED MODULE, TWIST AND LOCK (Ø3.5")

