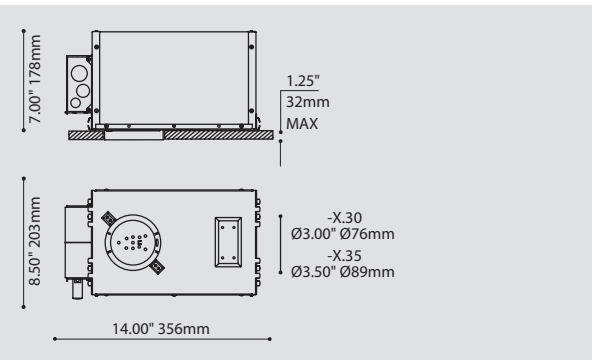


SERIE 1700

PROJECT PROJET

SPEC TYPE

NOTES



AIR HANDLING & NON-IC — 1700 SERIES RETOUR D'AIR & NON-PI — SÉRIES 1700

- Air-tight housing for non-insulated ceilings
- MR16 & CFL
- Integral thermal protection
- Hanger bars that adjust between 14.25" (360mm) and 26" (660mm)
- Fits ceilings of up to 1.25" (32mm) thickness
- UL (C-UL-US) certified

- Boîtier hermétique pour les plafonds non isolés
- MR16 & CFL
- Protection thermique intégrée
- Barres de suspension ajustables entre 14.25" (360mm) et 26" (660mm)
- S'installe dans des plafonds d'épaisseur allant jusqu'à 1.25" (32mm)
- Certifiés UL (C-UL-US)

AIR-HANDLING & NON-IC RETOUR D'AIR & NON-PI

1704C3	16W MAX, LED, MR16, GU5.3 BASE (Ø3" & Ø3.5")
1704C3.TL	16W MAX, LED, MR16, GU5.3 BASE, TWIST AND LOCK (Ø3.5")
1710C3.TL	50W, HAL, MR16, GU5.3 BASE, TWIST AND LOCK (Ø3.5")
1712C3.TL	13W, CFL, DOUBLE TWIN TUBE, G24Q1 BASE, TWIST AND LOCK (Ø3.5")
1714C3.TL	4W, EUREKA LED MODULE, TWIST AND LOCK (Ø3." & Ø3.5")

CUTTING HOLE (.30)



Ø3" (76mm)

CUTTING HOLE (.35)



Ø3.5" (89mm)