

SERIE 1800

PROJECT PROJET
SPEC TYPE
NOTES

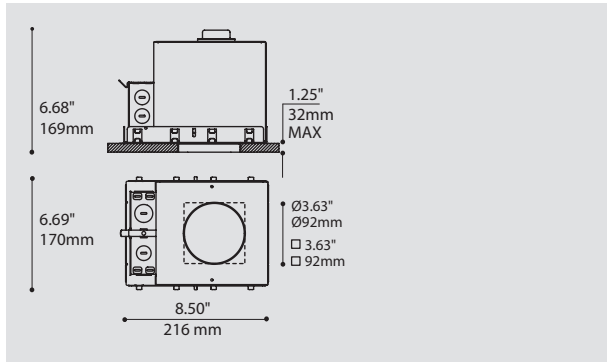
AIR TIGHT & INSULATED CEILING (IC) — 1800 SERIES HERMÉTIQUE & PLAFOND ISOLÉ (IC) — SÉRIE 1800

- Air-tight housing for insulated ceilings
- MR16, GU/GZ10, PAR20 & CFL
- Integral thermal protection
- Hanger bars that adjust between 14.25" (360mm) and 26" (660mm)
- Fits ceilings of up to 1.25" (32mm) thickness
- UL (C-UL-US) certified

- Boîtier hermétique pour les plafonds isolés
- MR16, GU/GZ10, PAR20 & CFL
- Protection thermique intégrée
- Barres de suspension ajustables entre 14.25" (360mm) et 26" (660mm)
- S'installe dans des plafonds d'épaisseur allant jusqu'à 1.25" (32mm)
- Certifiés UL (C-UL-US)

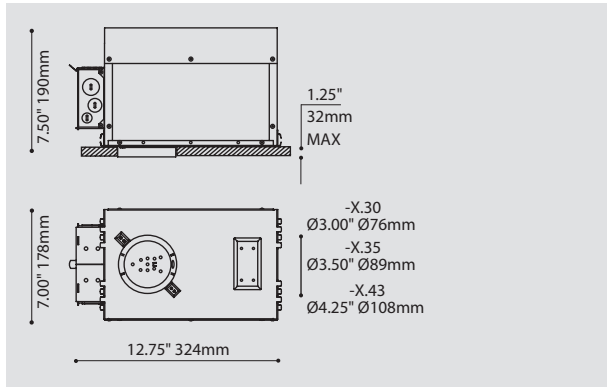
AIR-HANDLING & NON-IC RETOUR D'AIR & NON-PI

1804 16W MAX, LED, MR16, GU5.3 BASE (Ø3.5" & Ø3.5")



AIR-HANDLING & NON-IC RETOUR D'AIR & NON-PI

- 1804C** 16W MAX, LED, MR16, GU5.3 BASE (Ø3" & Ø3.5")
1804C.TL 16W MAX, LED, MR16, GU5.3 BASE, TWIST AND LOCK (Ø3.5")
1810C 35W, HAL, MR16, GU5.3 BASE (Ø3.00", Ø3.5" & 4.25")
1811C 35W, HAL, MR16, GZ10 BASE (Ø3.5" & 4.25")
1811C 50W, INC, PAR 20 MEDIUM BASE (Ø3.5")
1812C 13W, CFL, DOUBLE TWIN TUBE, G24Q1 BASE, TWIST AND LOCK (Ø3.5")
1814C 4W, EUREKA LED MODULE, TWIST AND LOCK (Ø3.5")



AIR-HANDLING & NON-IC RETOUR D'AIR & NON-PI

- 1820C** 50W, HAL, MR16, GU5.3 BASE (Ø3", Ø3.5" & 4.25")
1820C.TL 50W, HAL, MR16, GU5.3 BASE, TWIST AND LOCK (Ø3.5")
1821C 50W, HAL, MR16, GZ10 BASE (Ø3.5" & 4.25")

